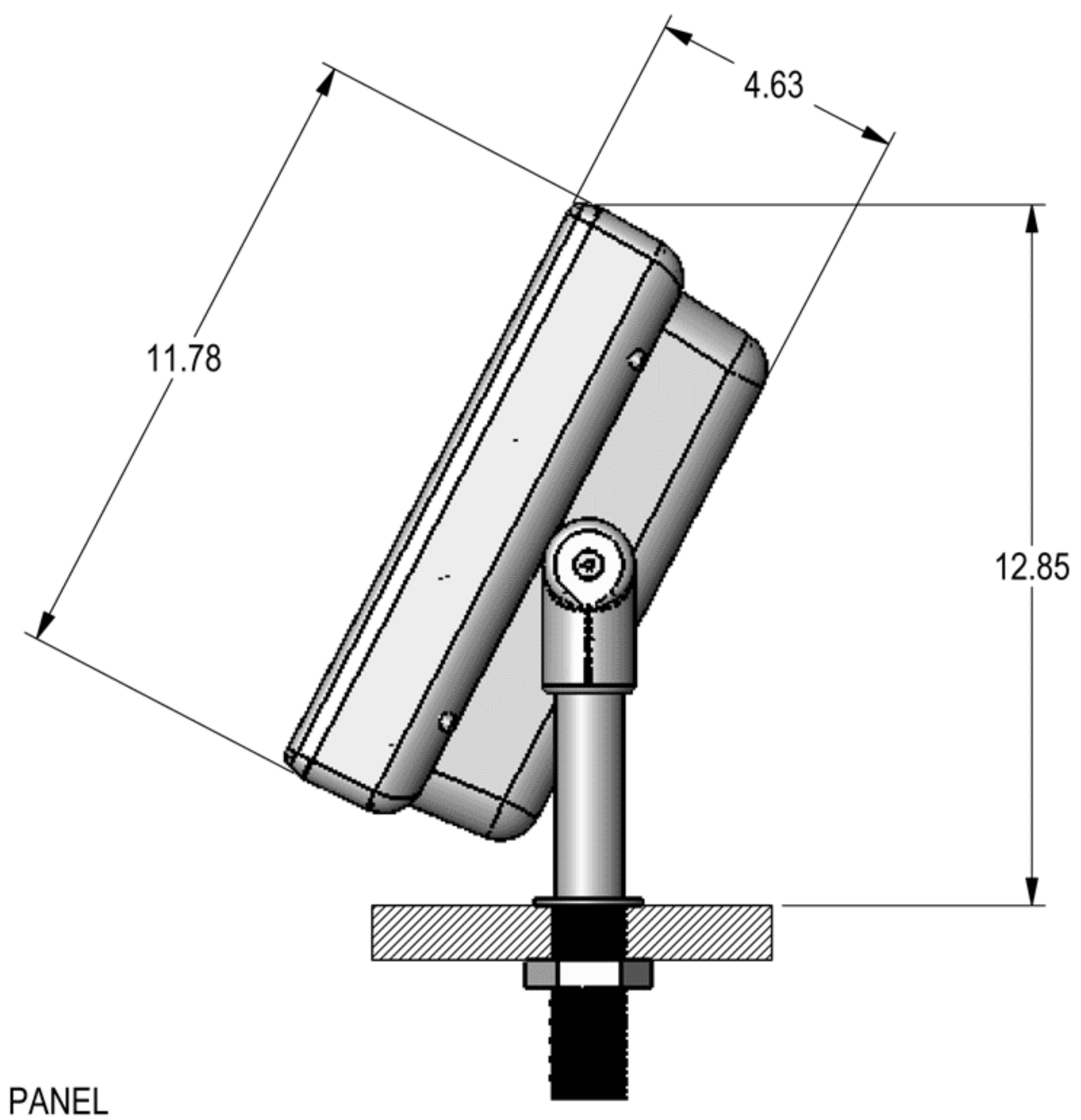
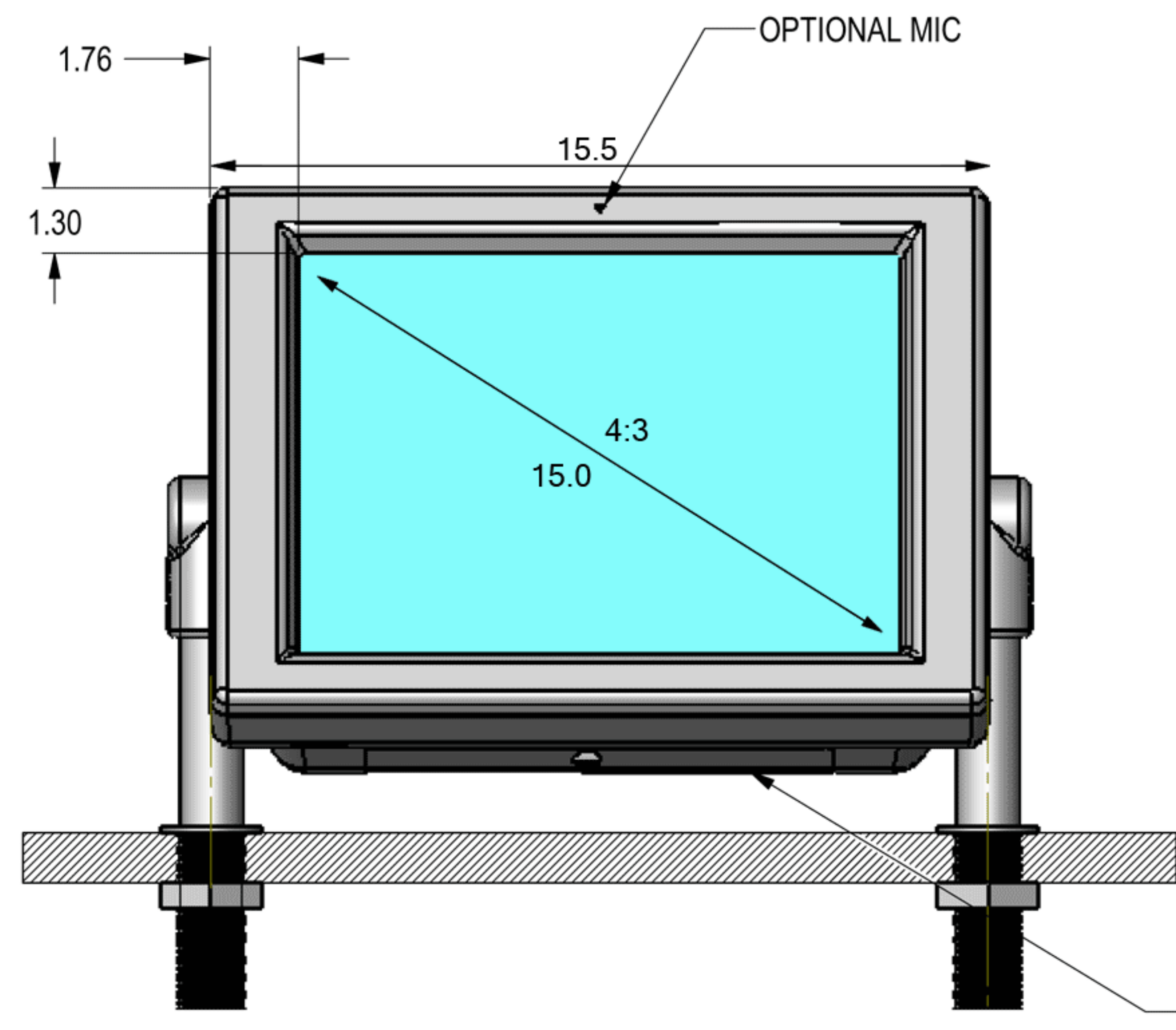
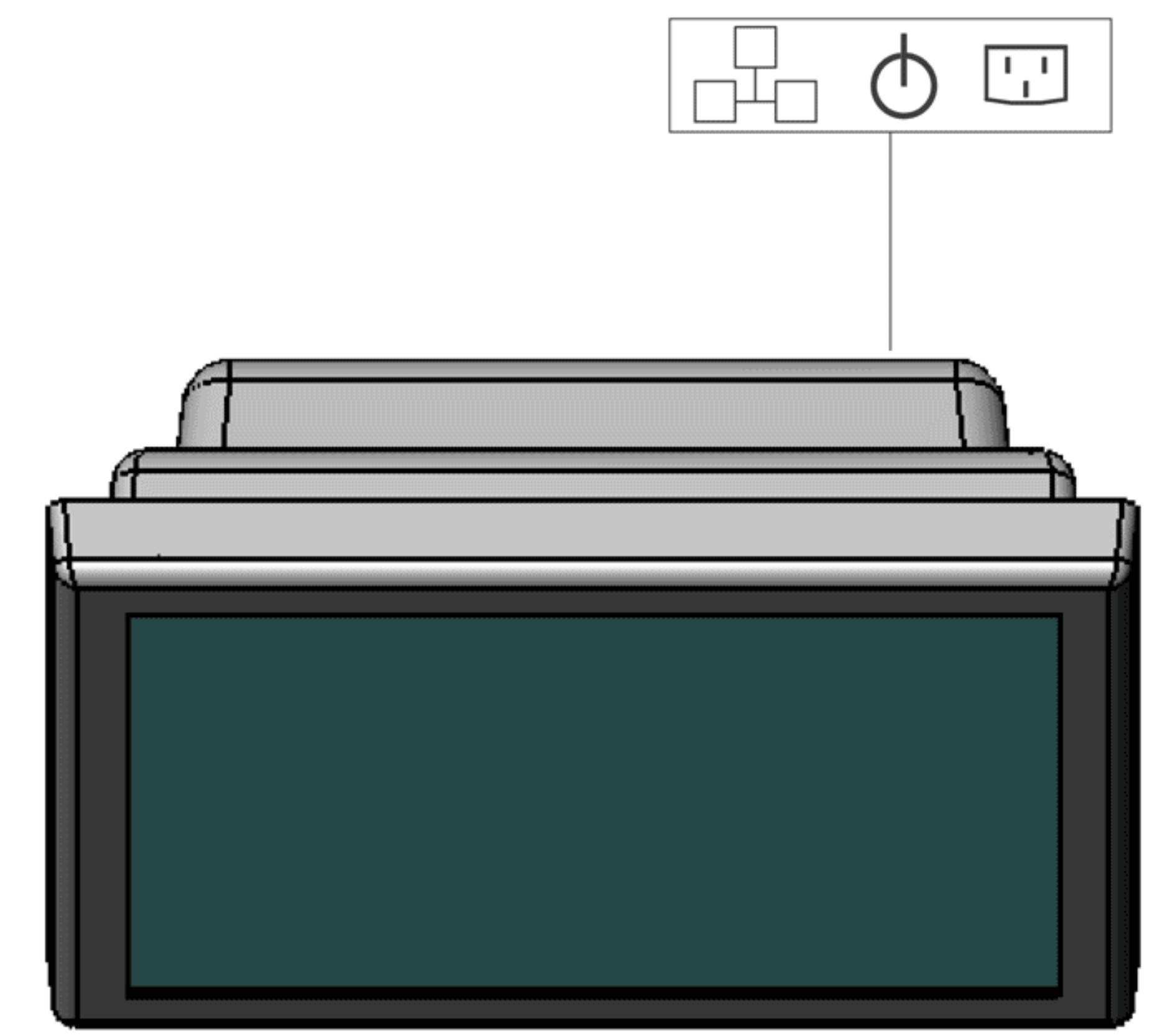


**15"
InTable**

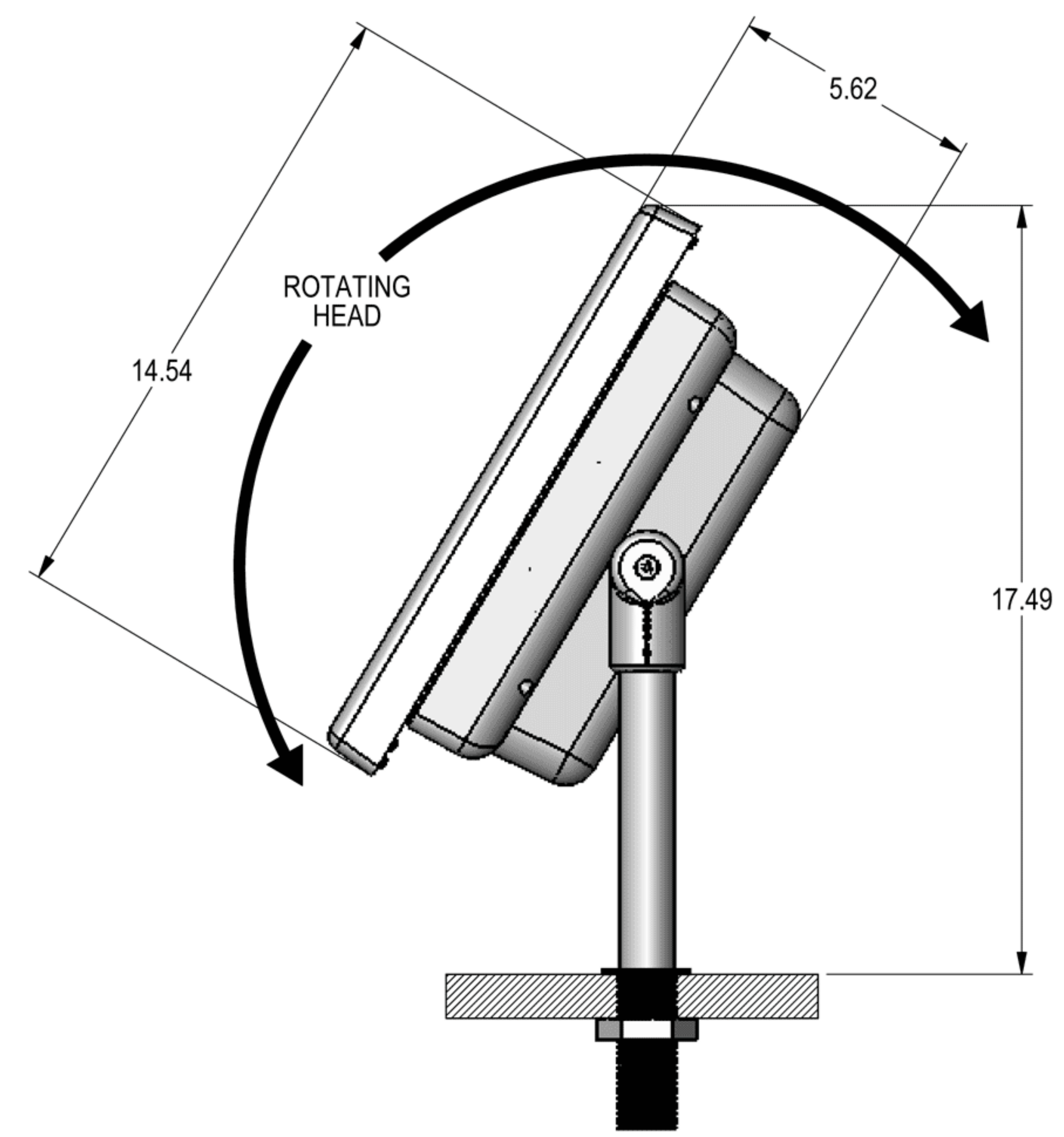
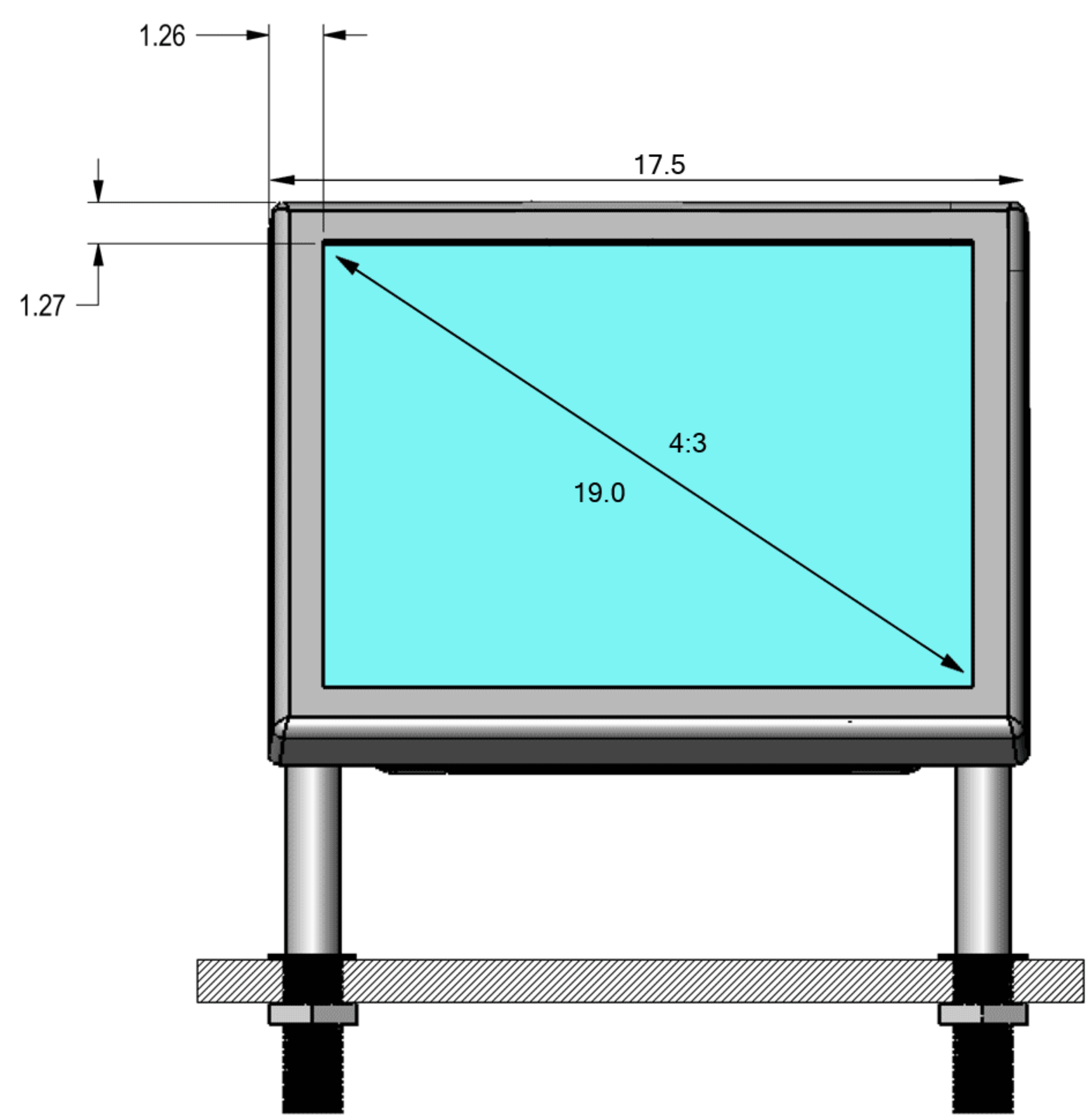


FRONT

SIDE

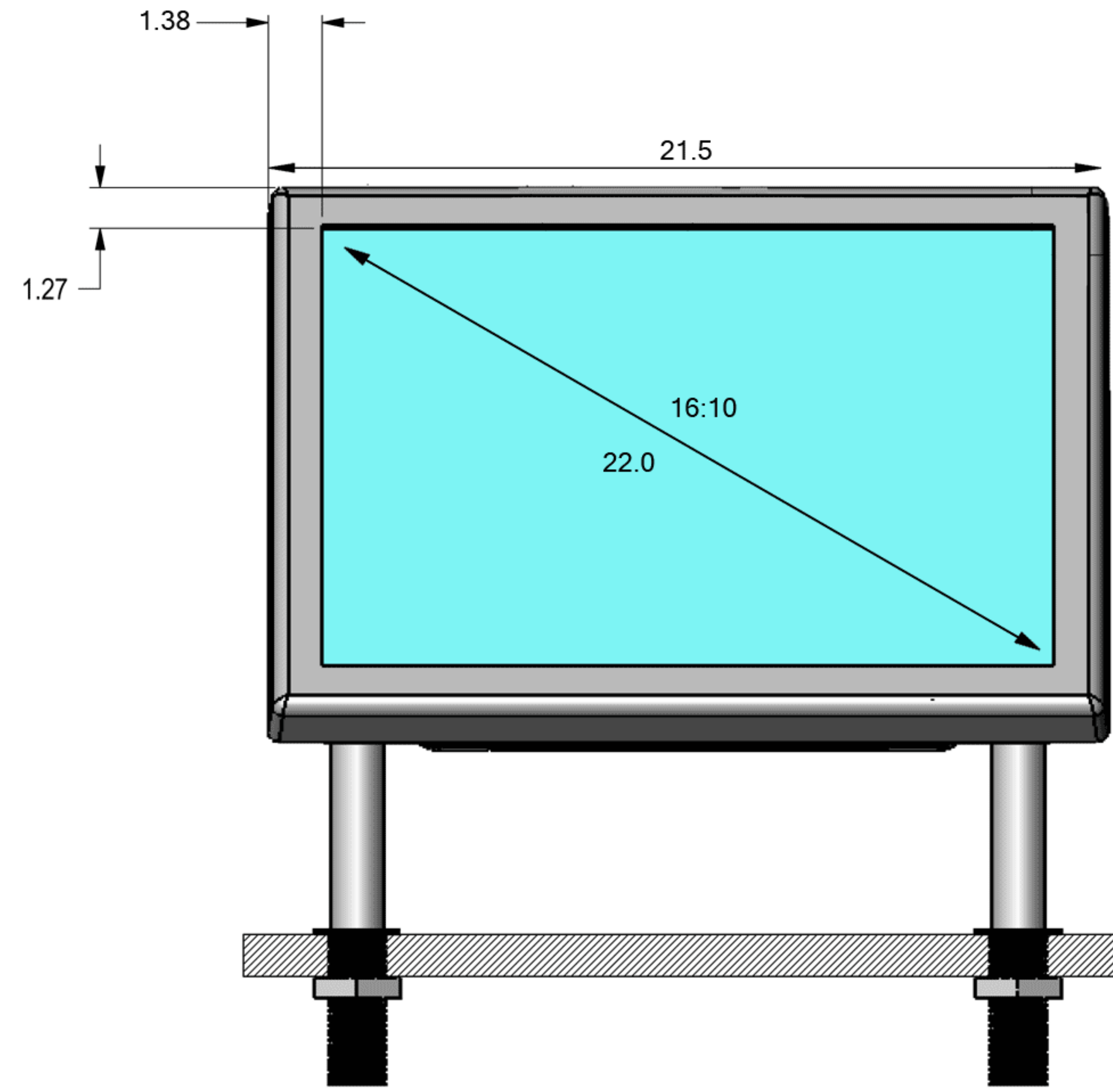


**19"
InTable**

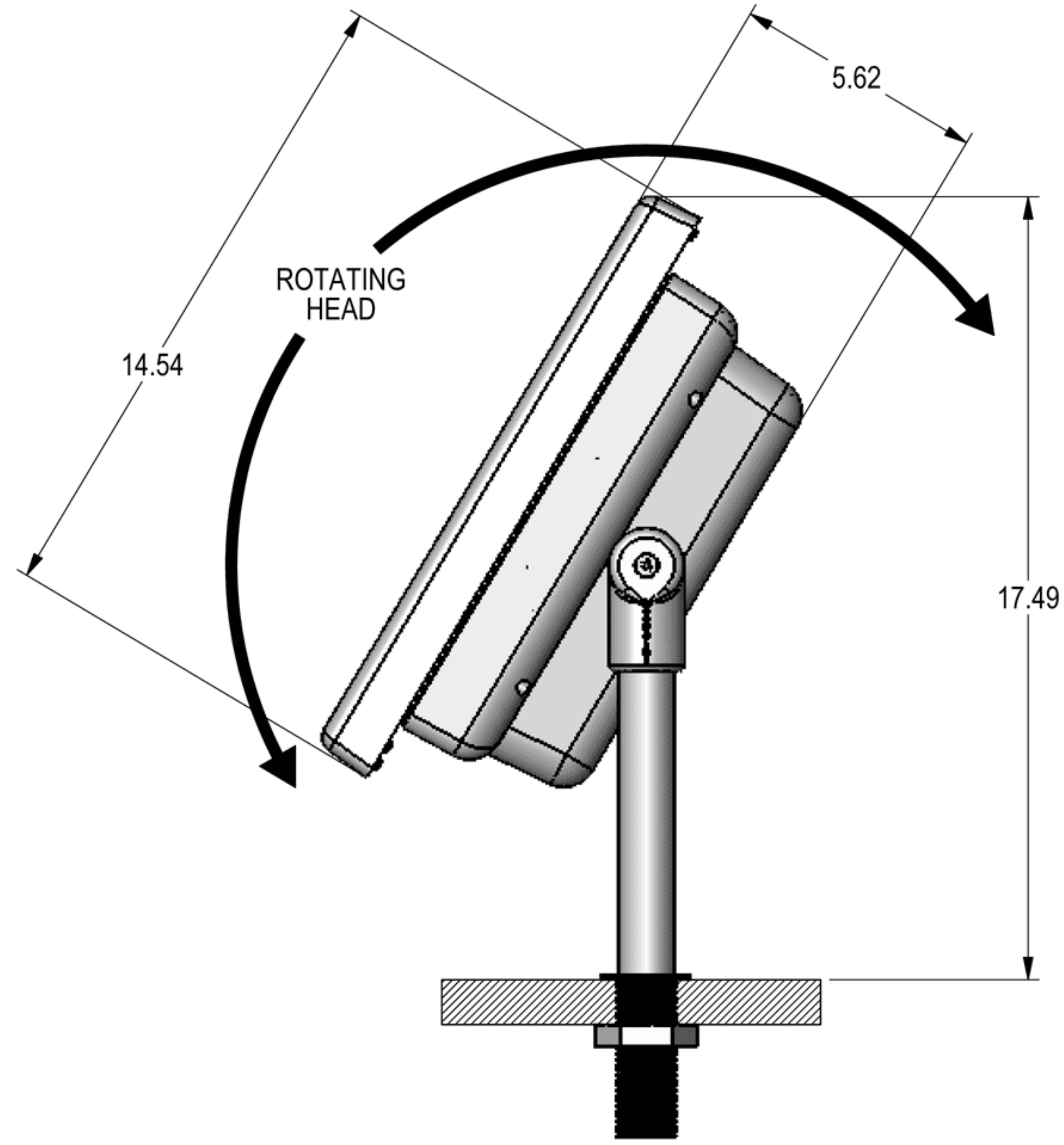


SeePoint™ Interactive Kiosk Systems SeePoint.com 888-587-1777			
TITLE InTable			
SIZE C	PART NO.	DWG NO. SP061203-10	REV N/C
DO NOT SCALE/PRINT REDUCED			SCALE 1=4

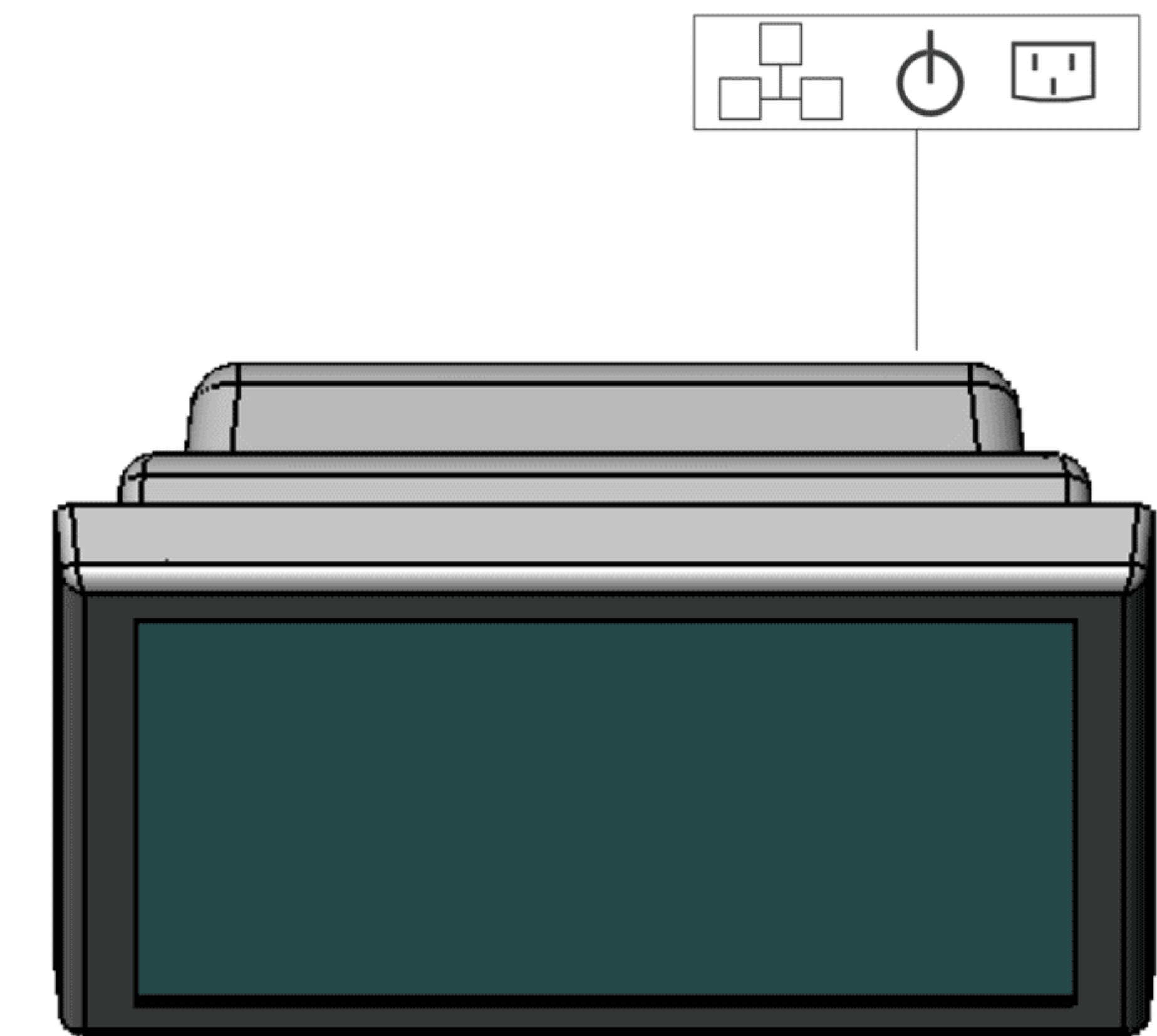
**22"
InTable**



FRONT

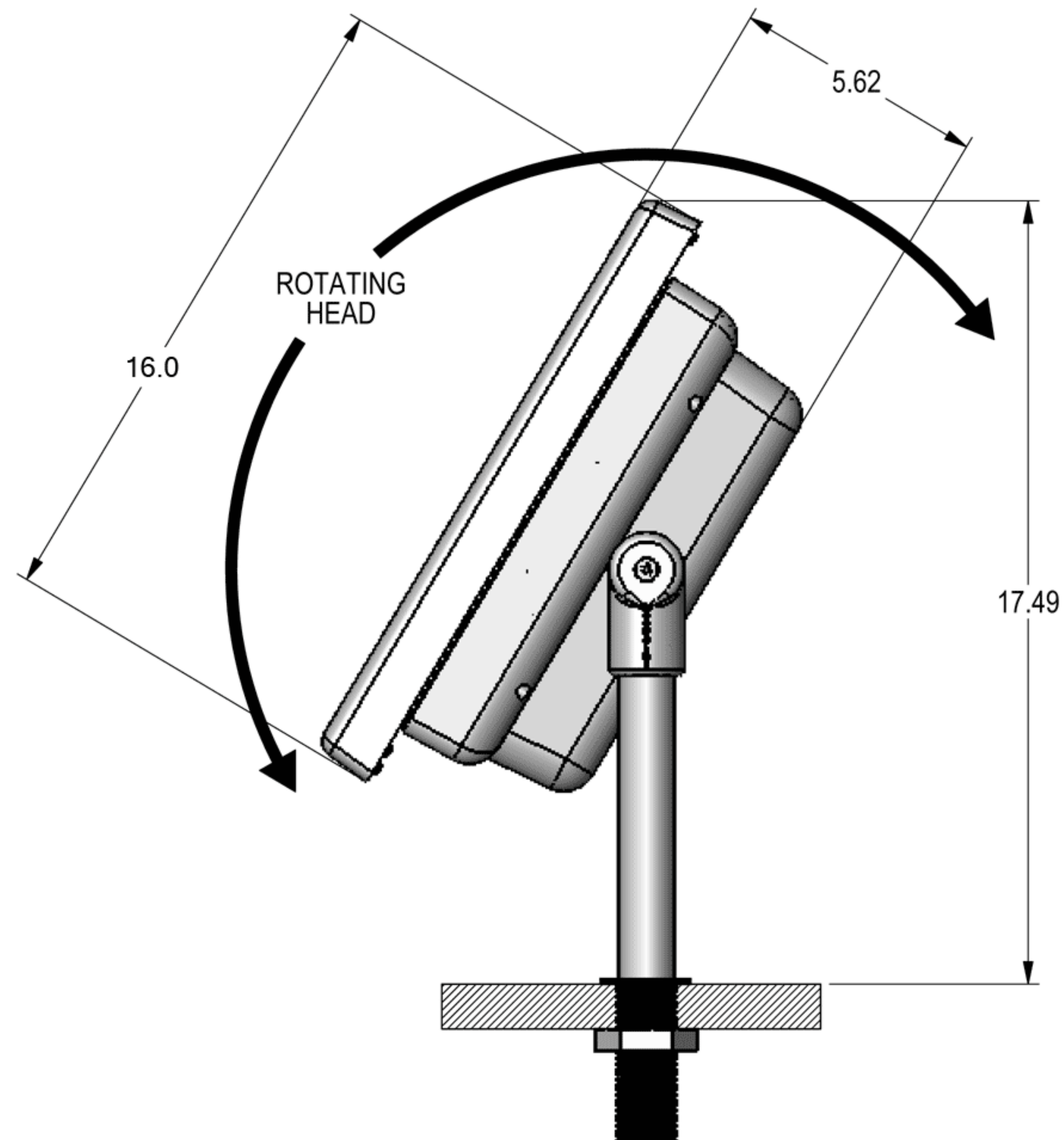
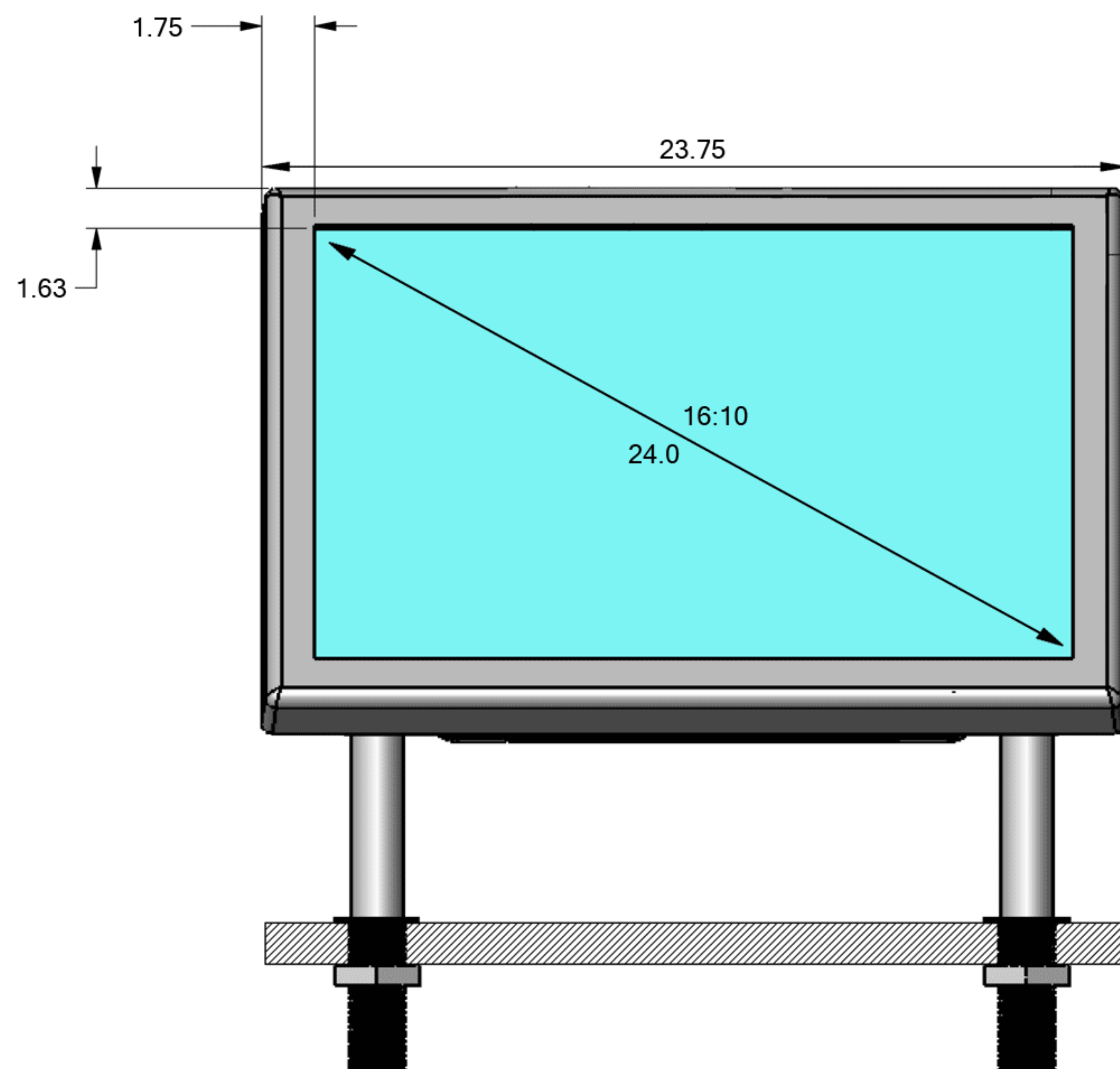


SIDE



TOP

**24"
InTable**



SeePoint™ Interactive Kiosk Systems SeePoint.com 888-587-1777			
TITLE InTable			
SIZE C	PART NO.	DWG NO. SP061203-10	REV N/C
DO NOT SCALE/PRINT REDUCED			SCALE 1=4