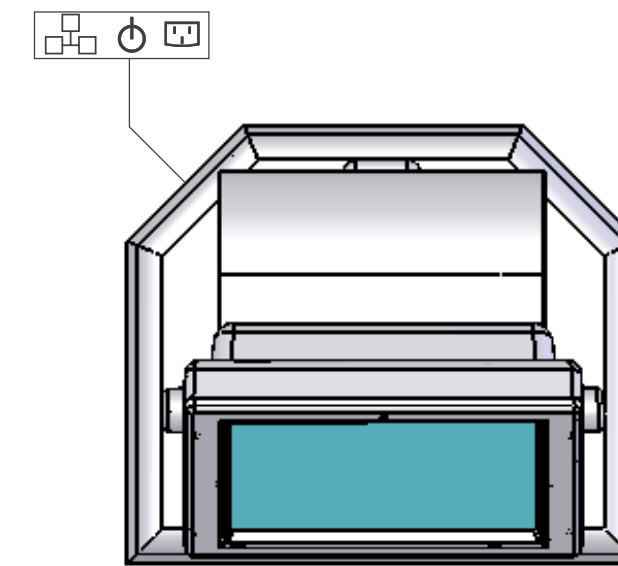
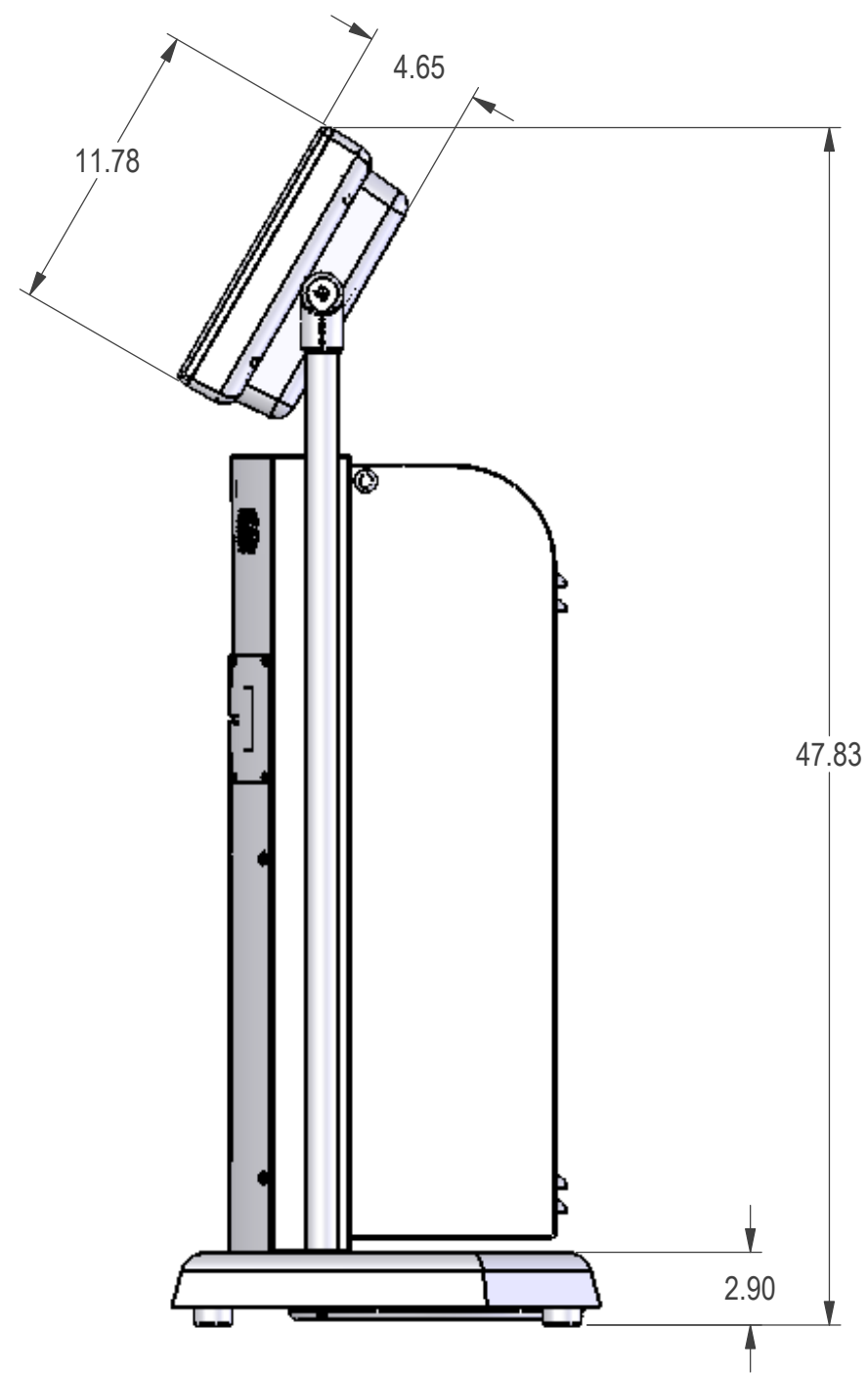
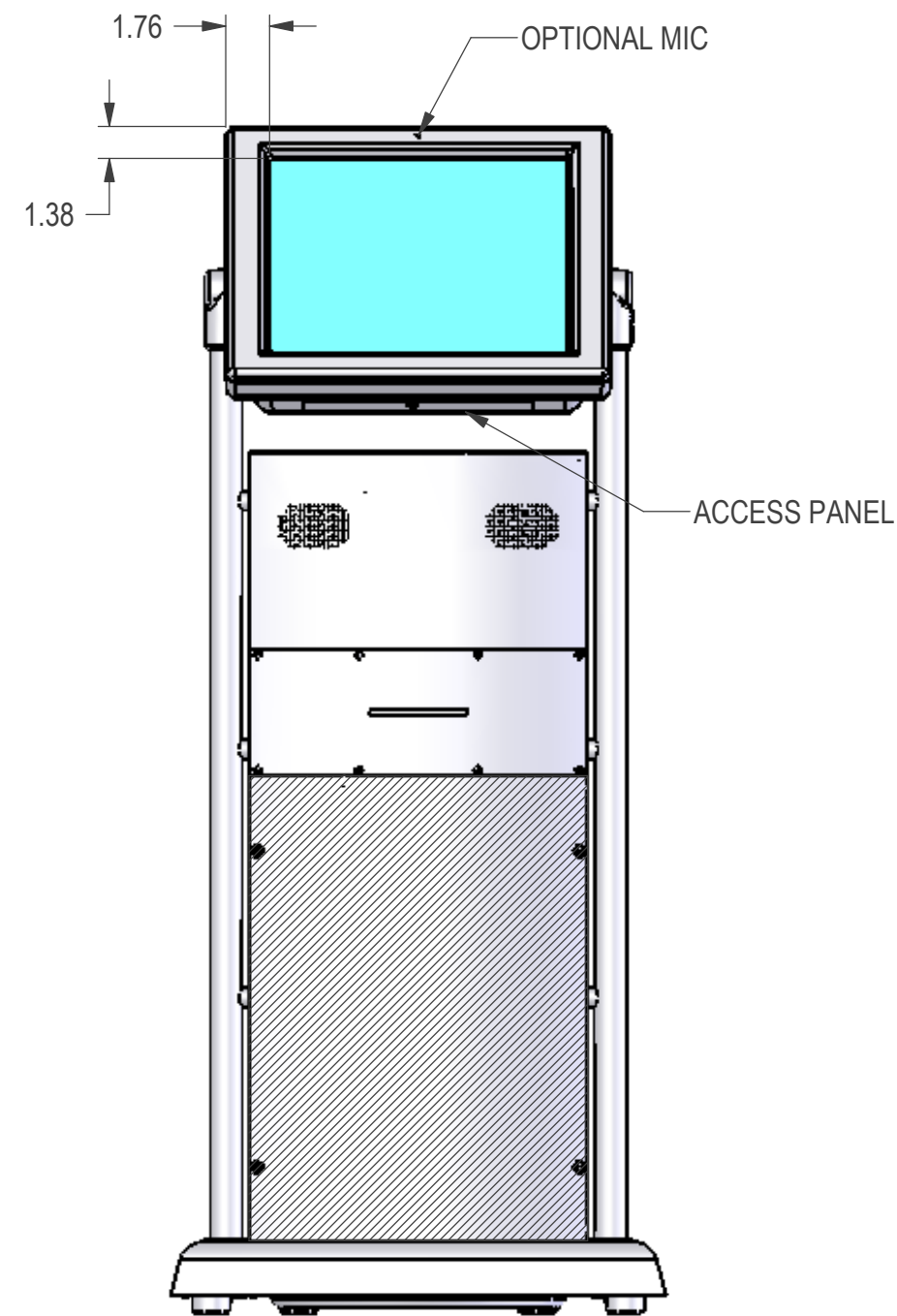
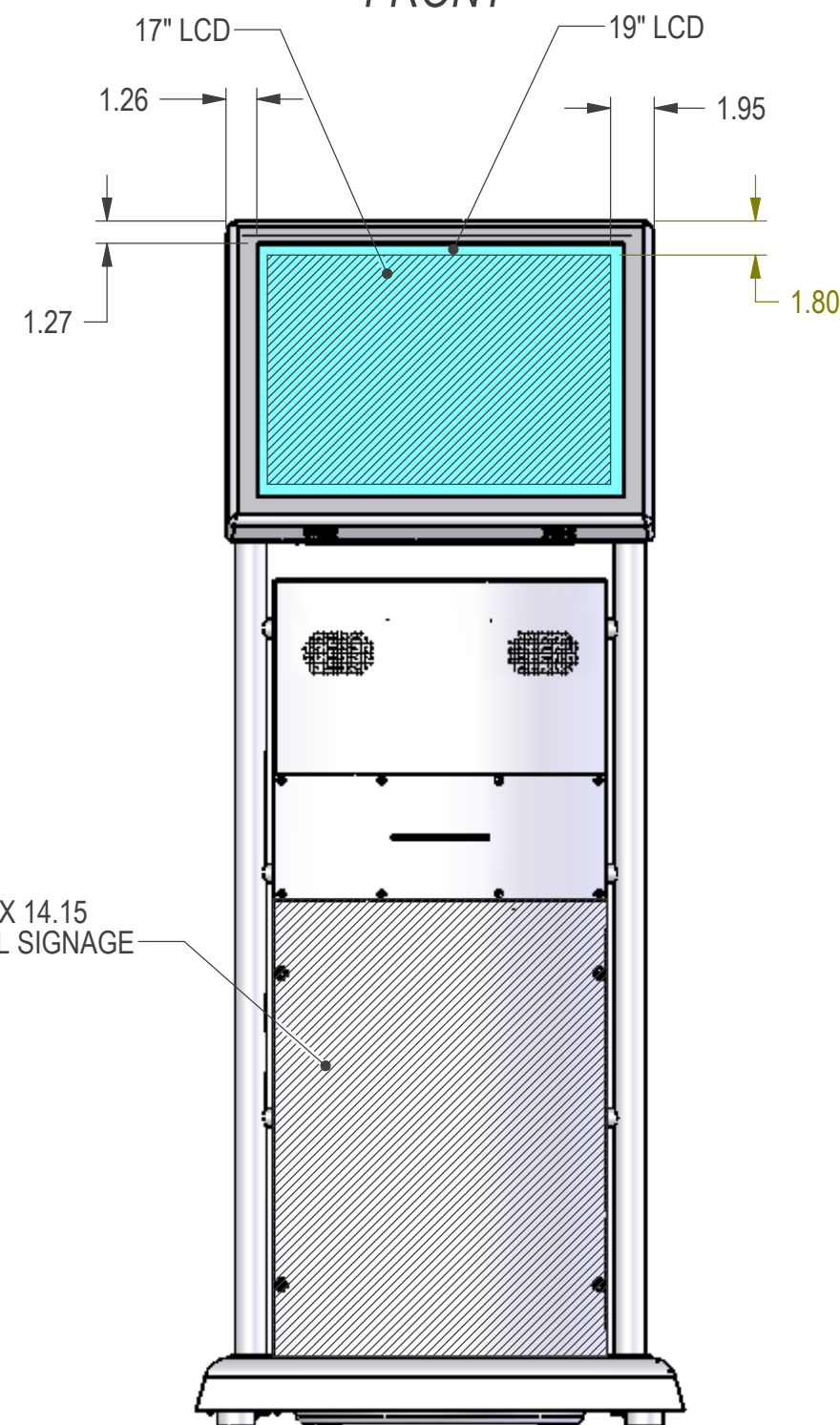


**15"
TicketPoint**

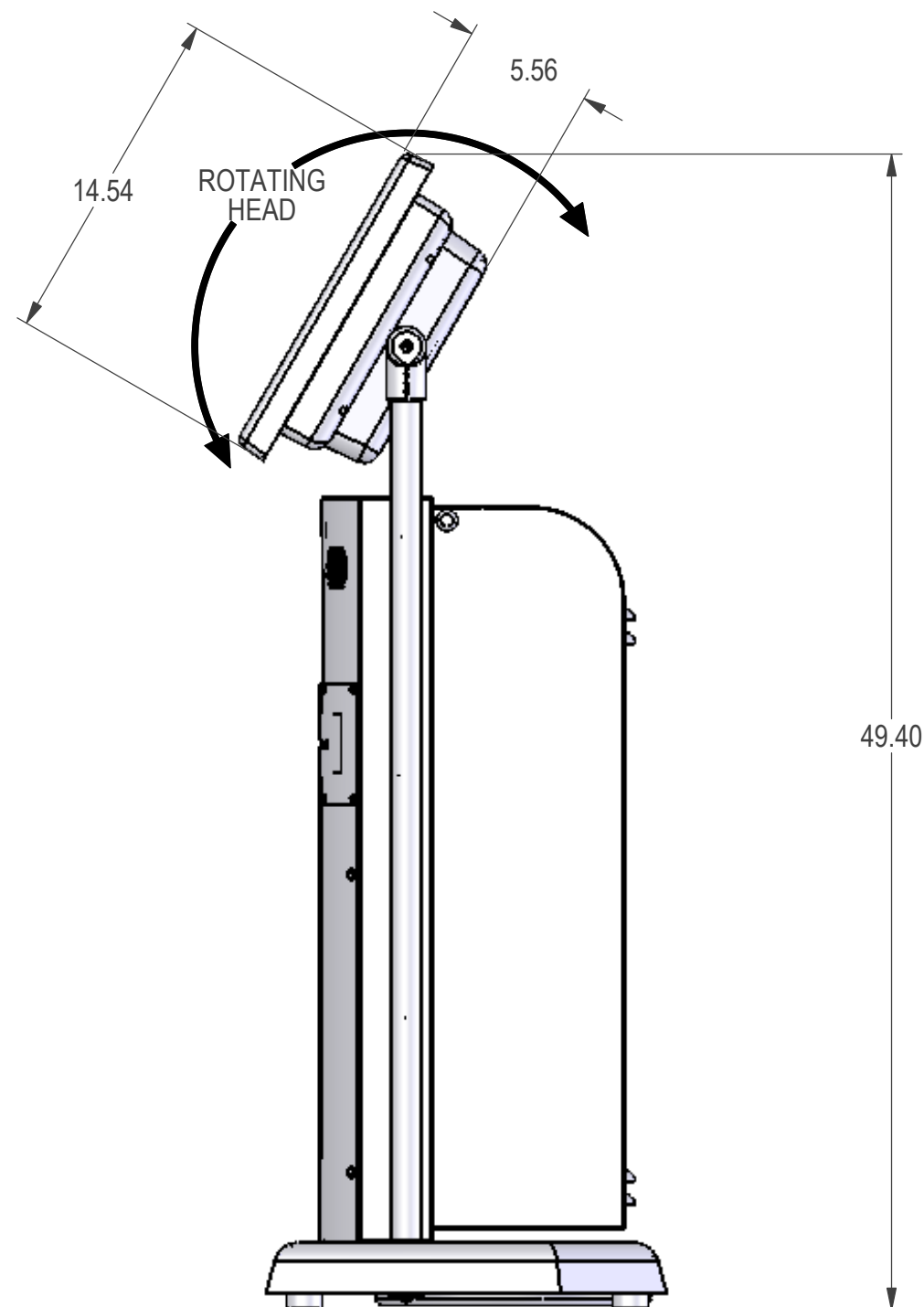


FRONT

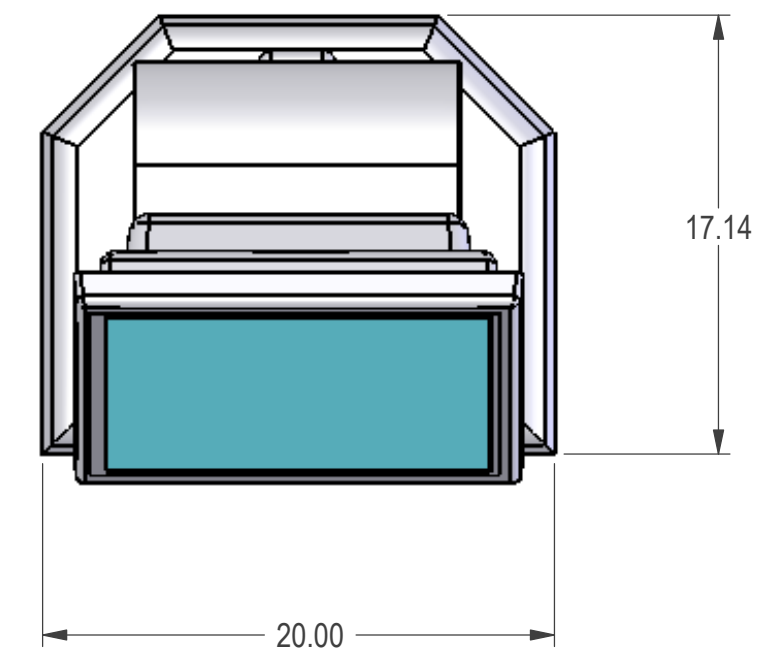
**17"/19"
TicketPoint**



SIDE



TOP



SeePoint
Interactive Kiosk Systems
SeePoint.com 888-587-1777

TITLE			
TicketPoint			
SIZE C	PART NO.	DWG NO. SP061203-07	REV N/C
DO NOT SCALE/PRINT REDUCED			SCALE NONE