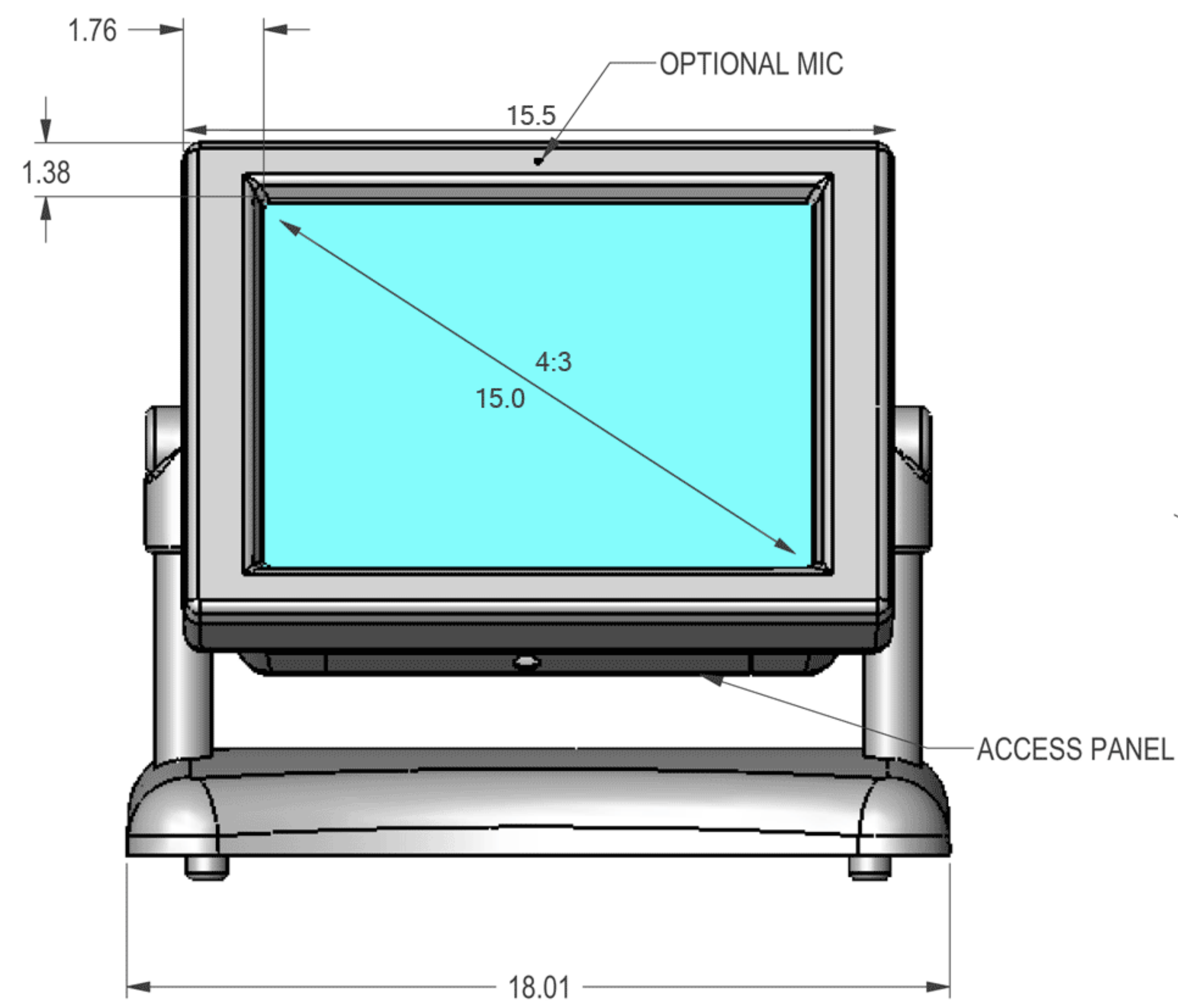
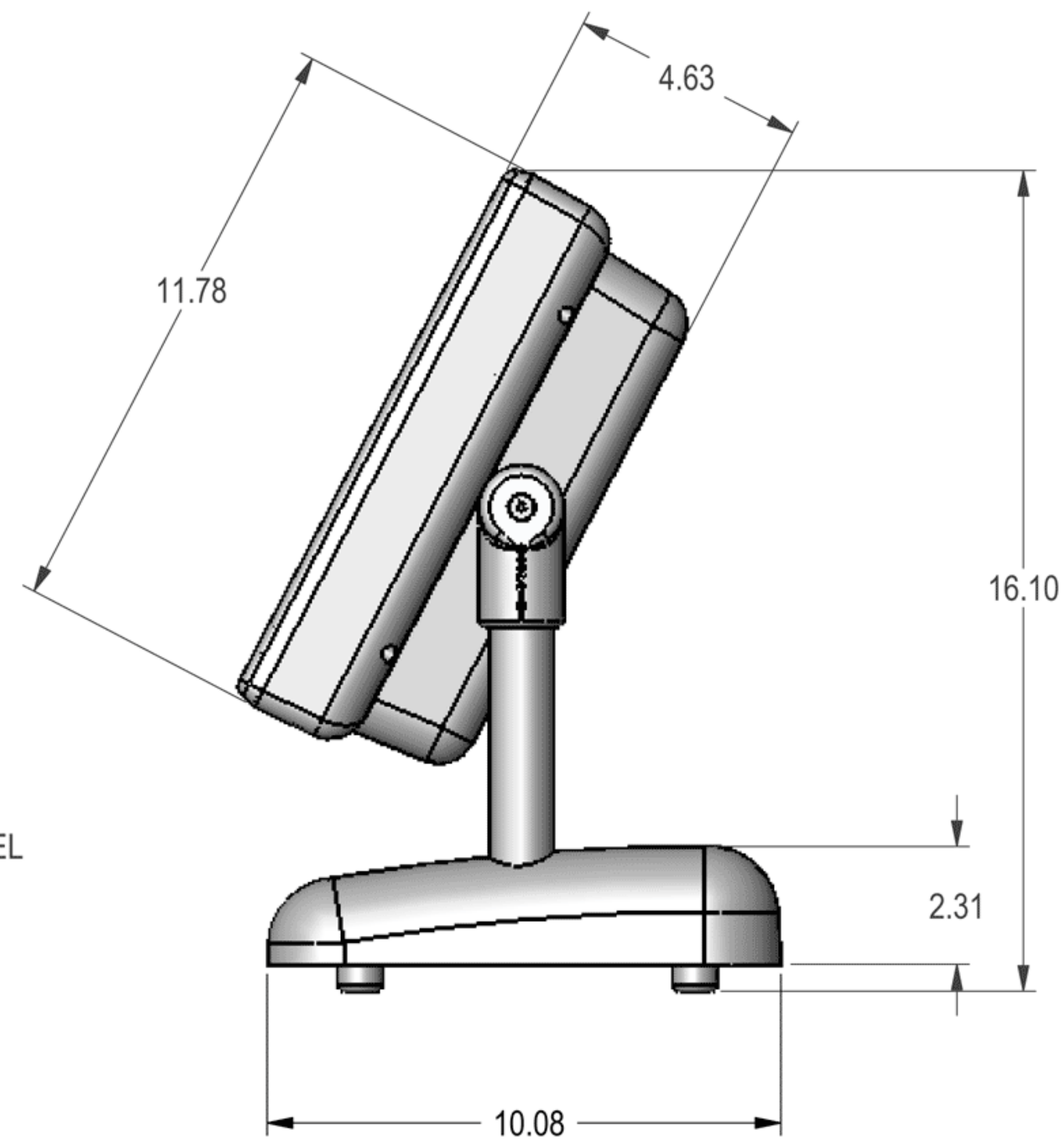


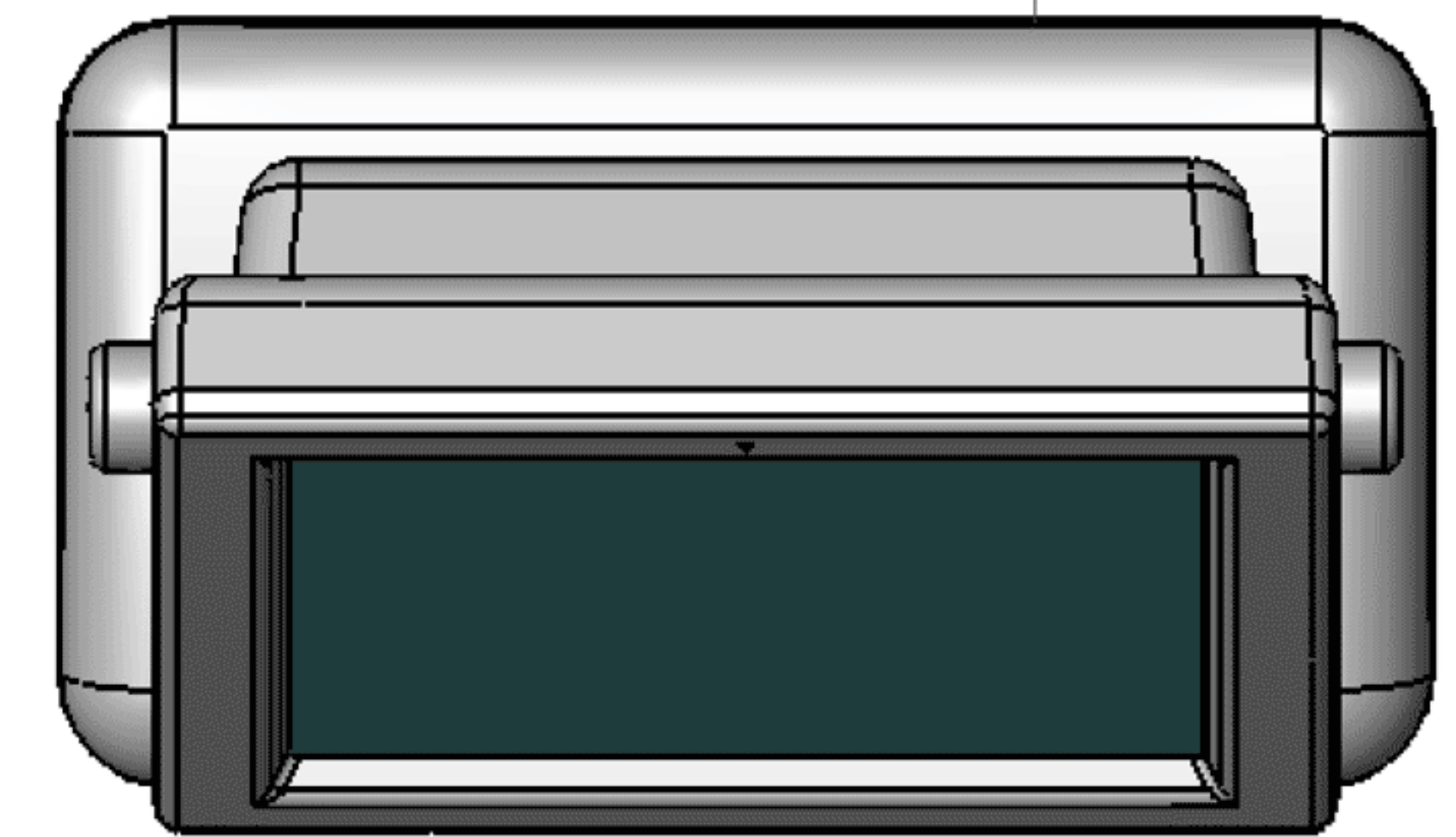
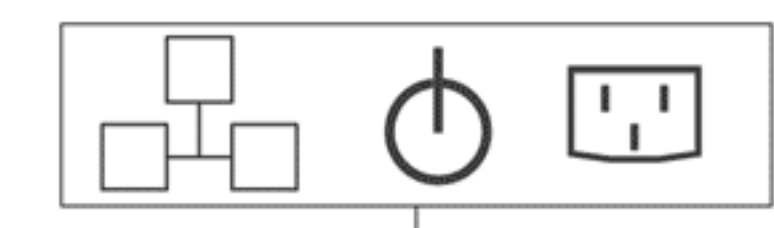
**15"  
CounterPoint**



*FRONT*

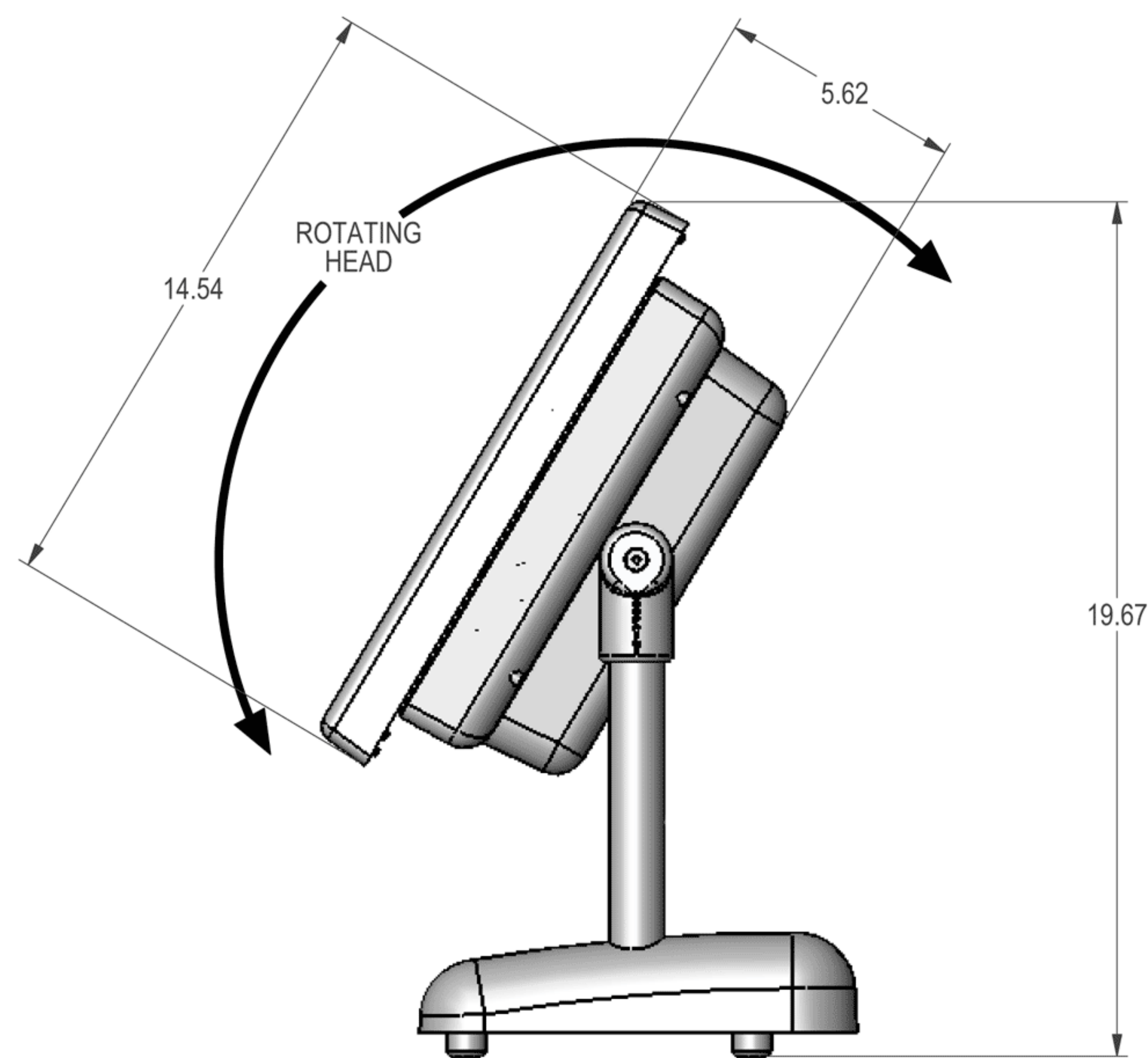
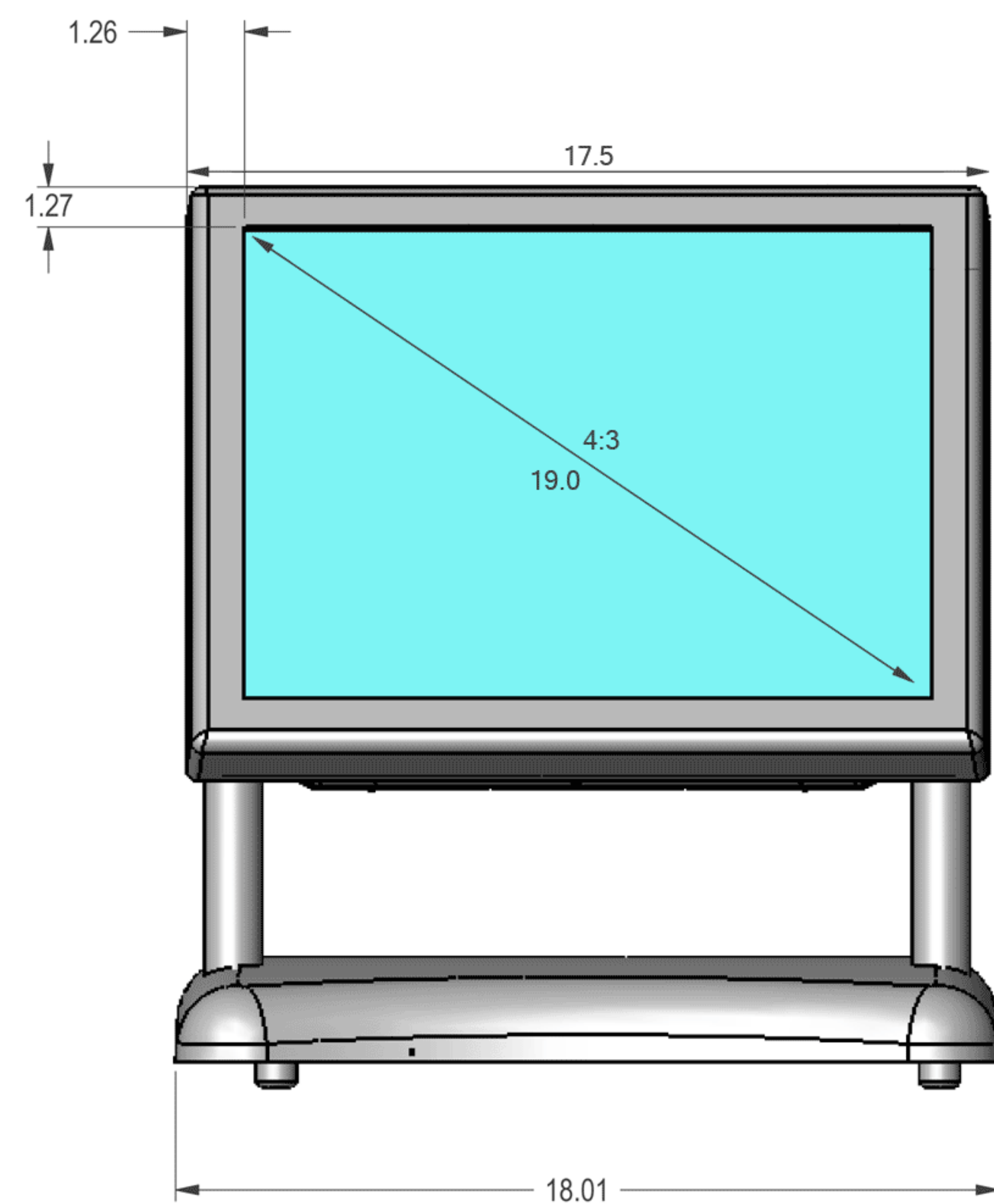


*SIDE*



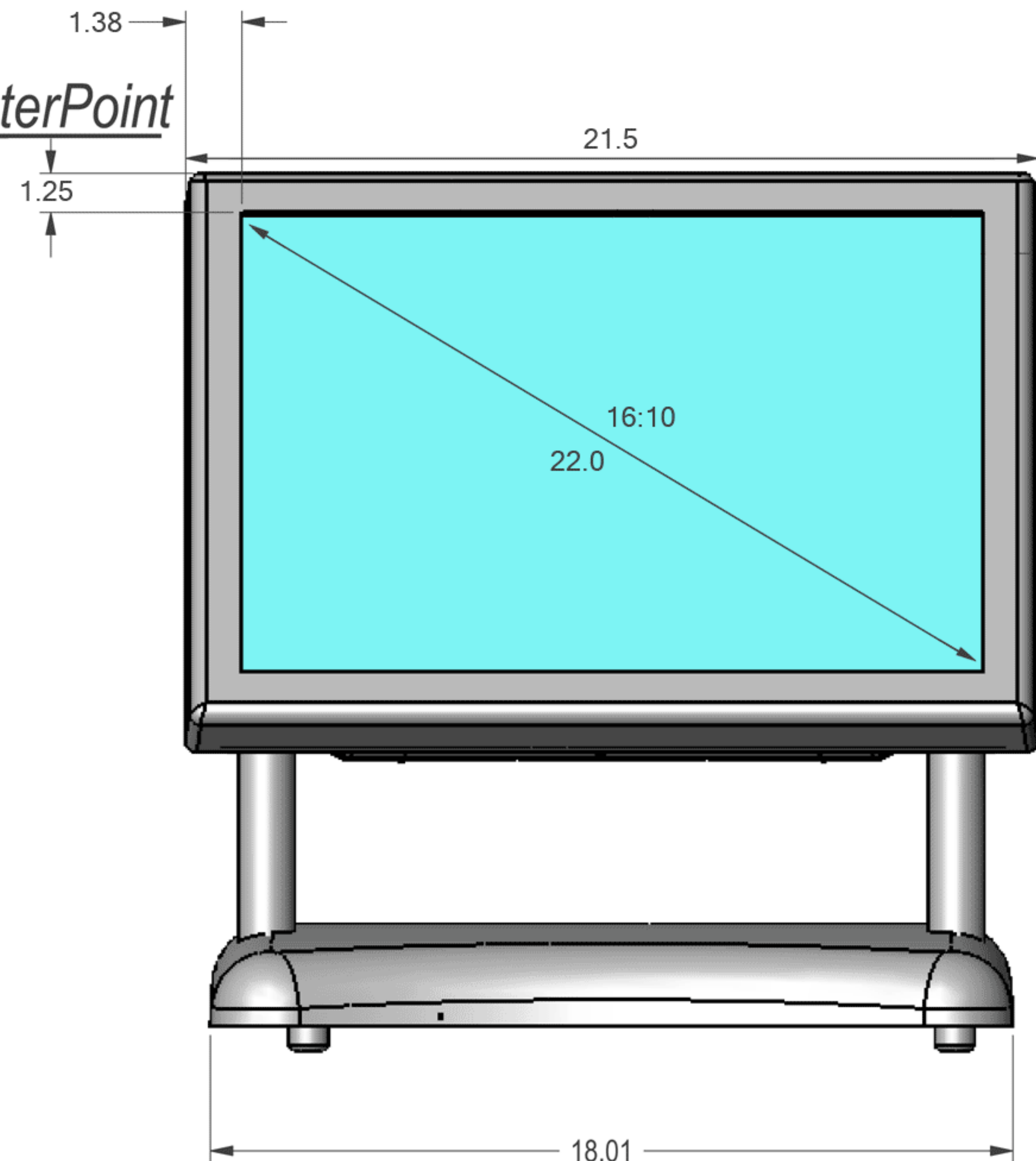
*TOP*

**19"  
CounterPoint**

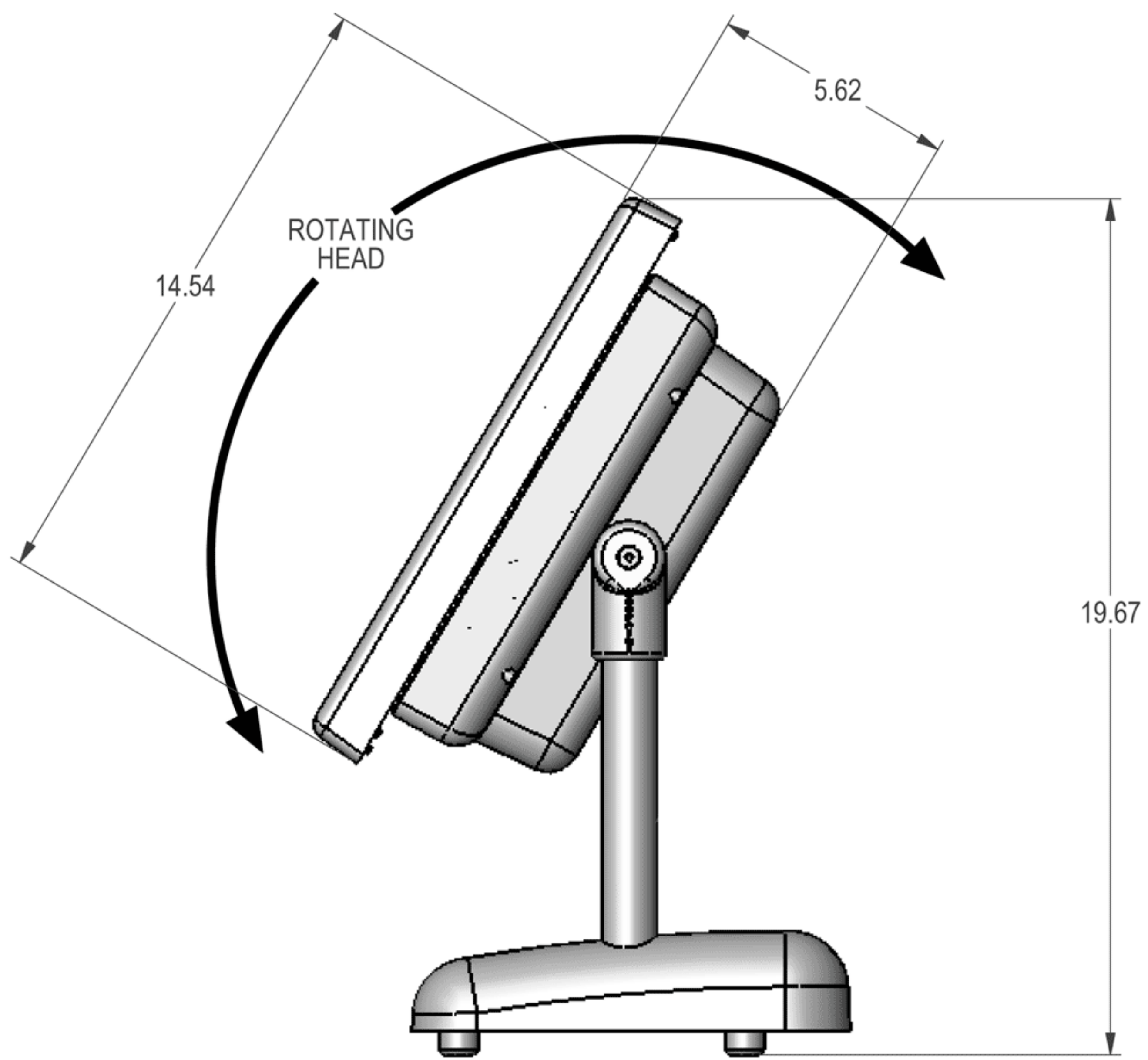


TITLE			
CounterPoint			
SIZE	PART NO.	DWG NO.	REV
C		SP061203-01	N/C
DO NOT SCALE/PRINT REDUCED			SCALE
			1=4

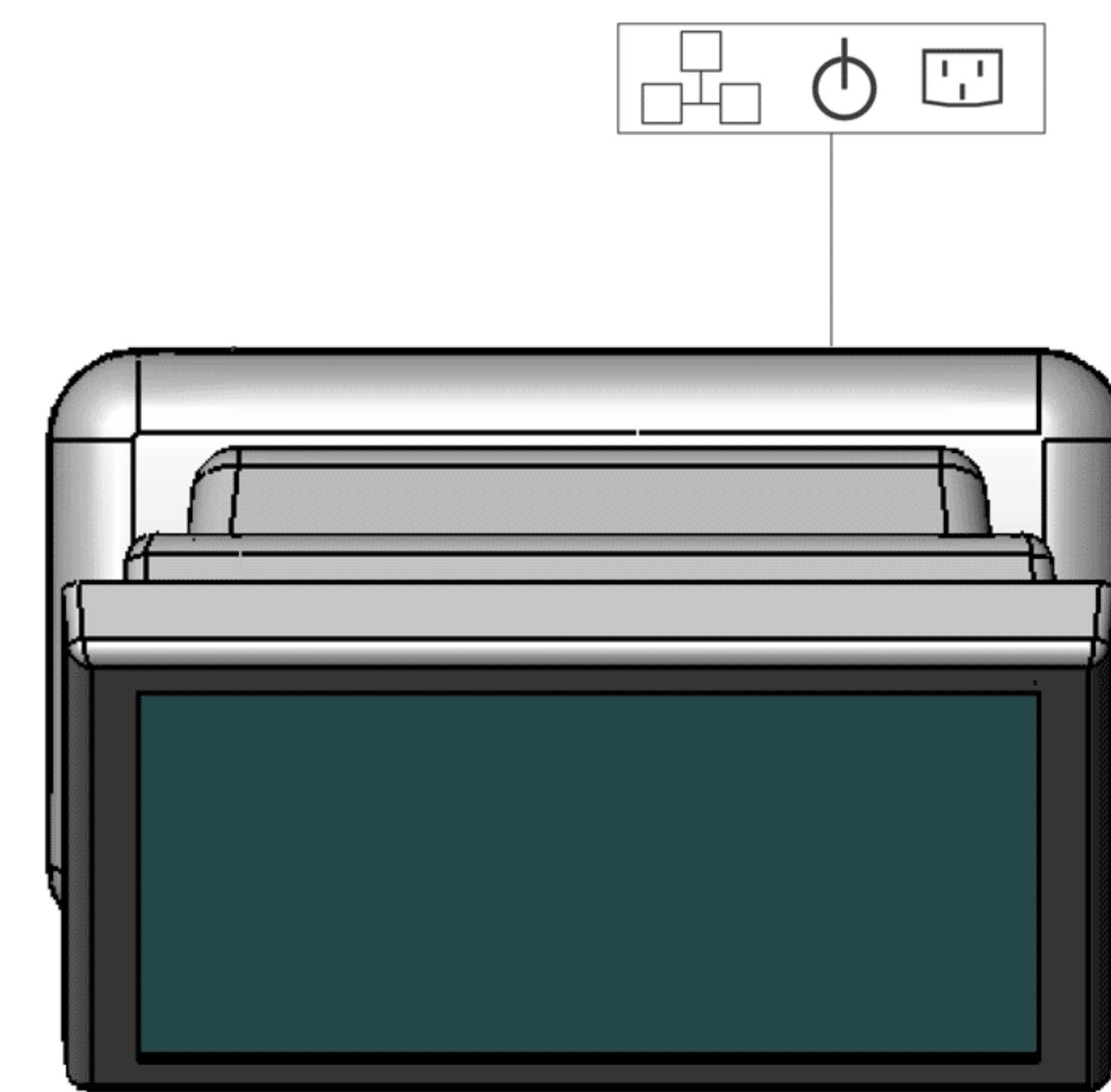
**22" CounterPoint**



FRONT

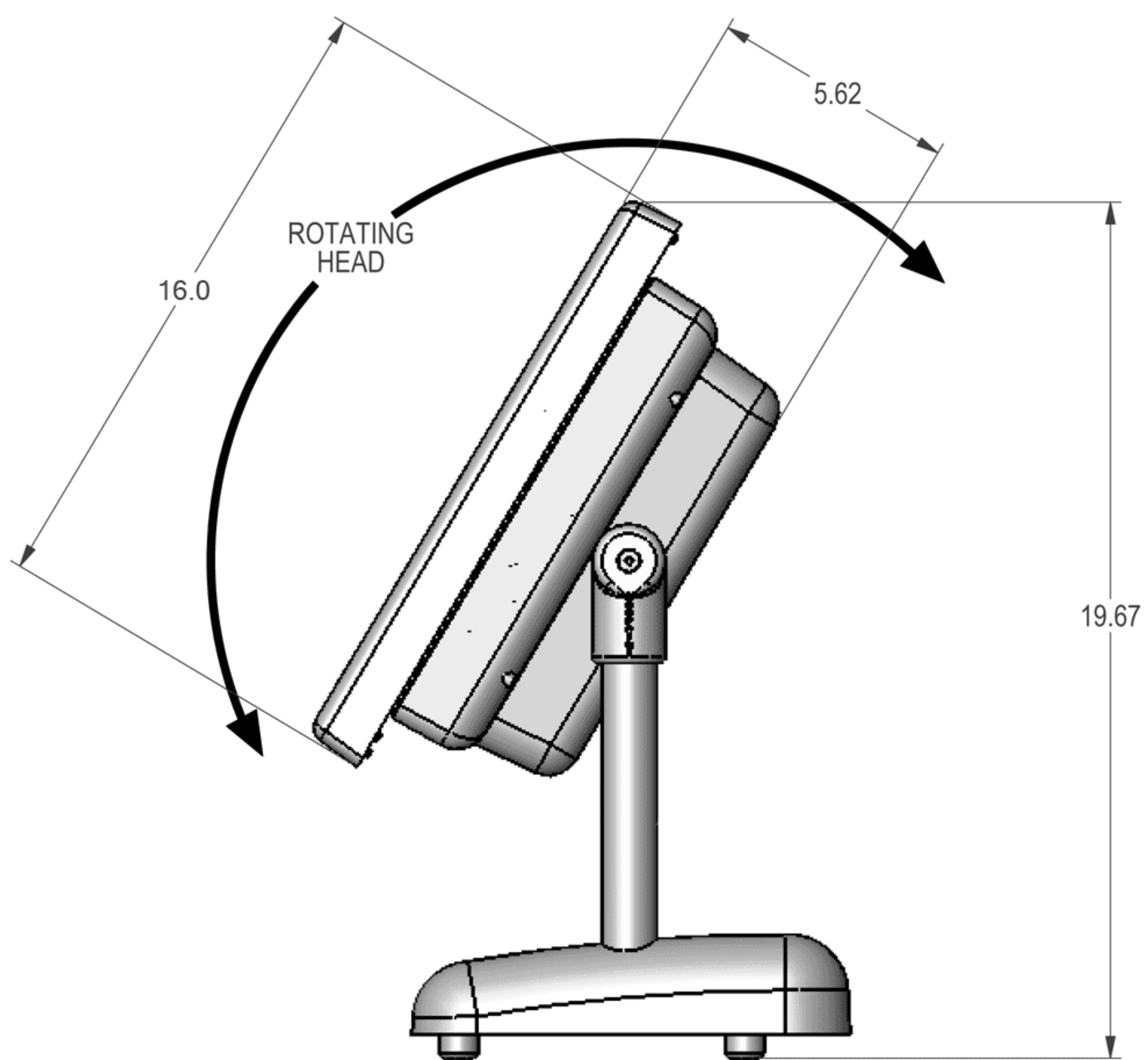
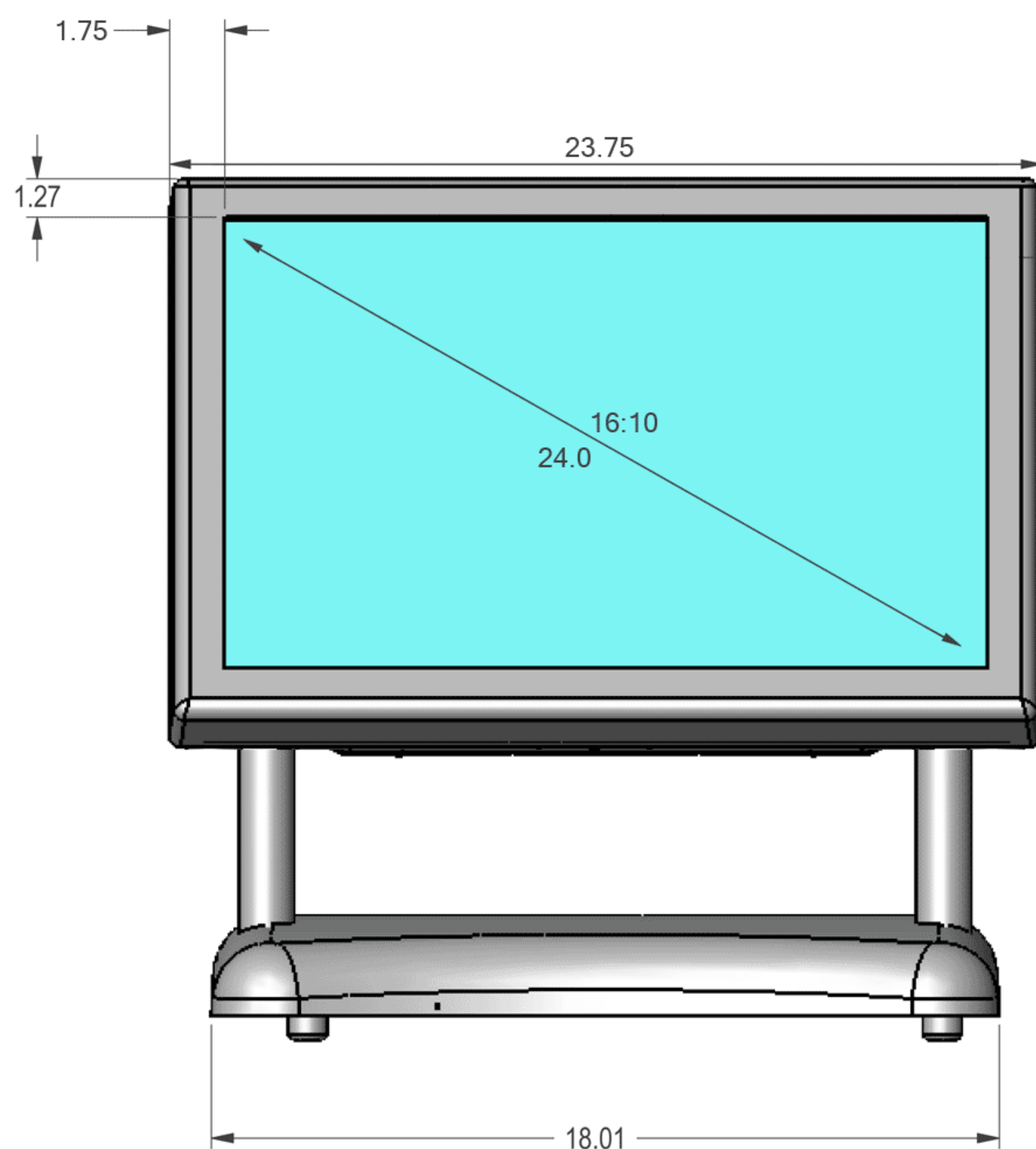


SIDE



TOP

**24" CounterPoint**



<b>SeePoint™</b> Interactive Kiosk Systems SeePoint.com 888-587-1777			
TITLE <b>CounterPoint</b>			
SIZE C	PART NO.	DWG NO. SP061203-01	REV N/C
DO NOT SCALE/PRINT REDUCED			SCALE 1=4