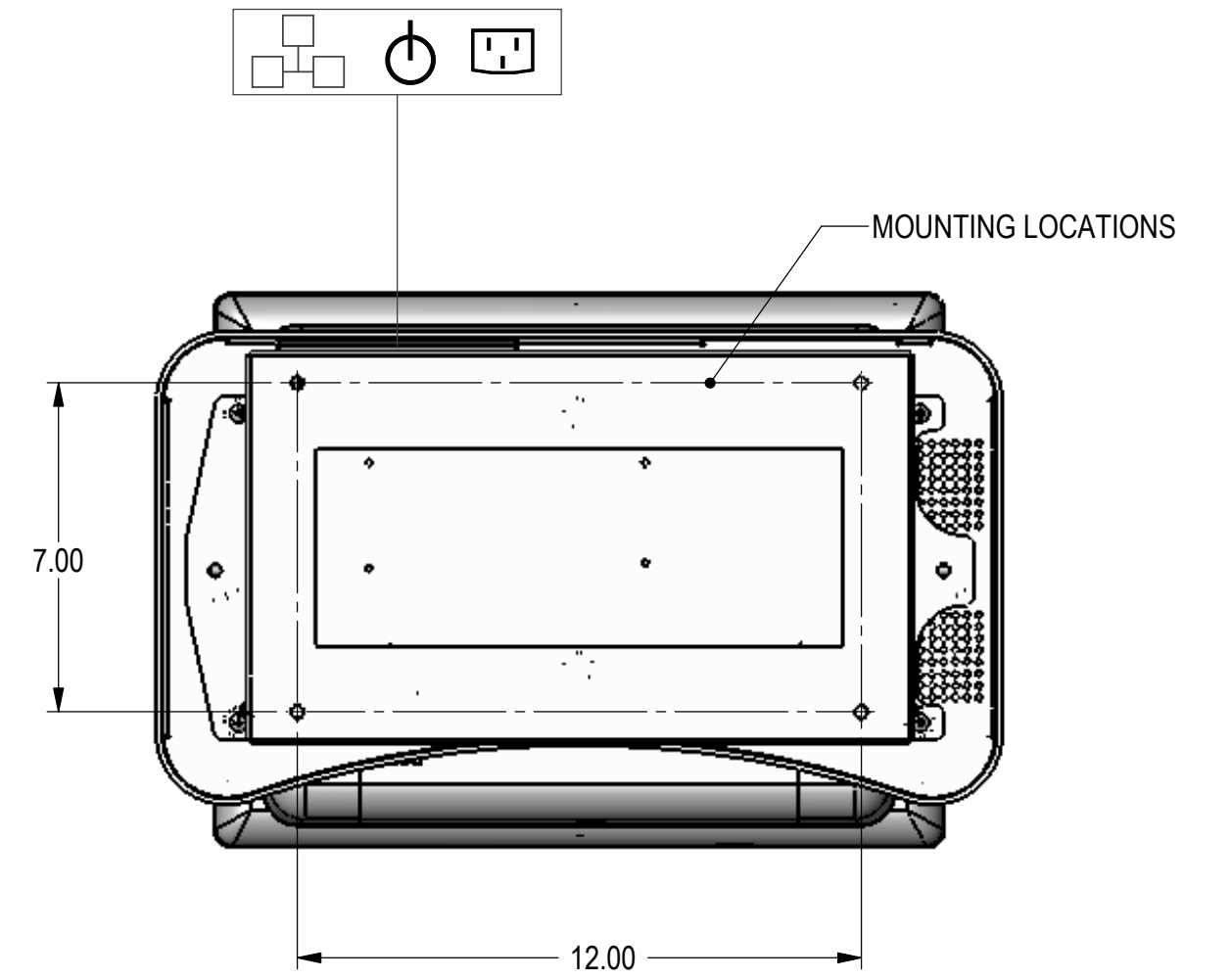
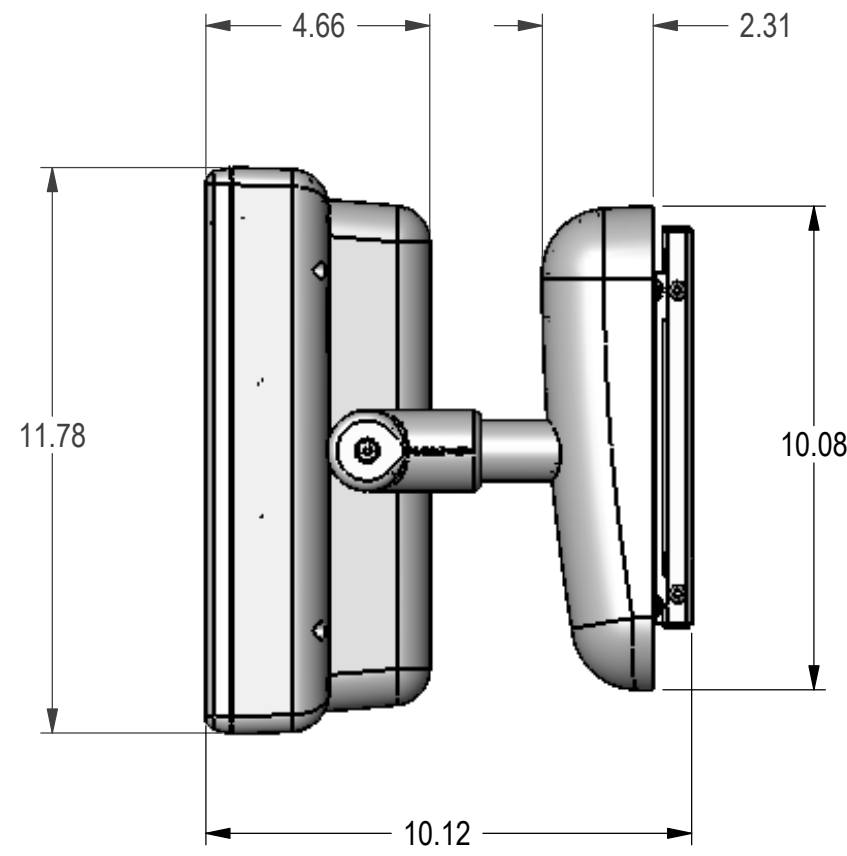
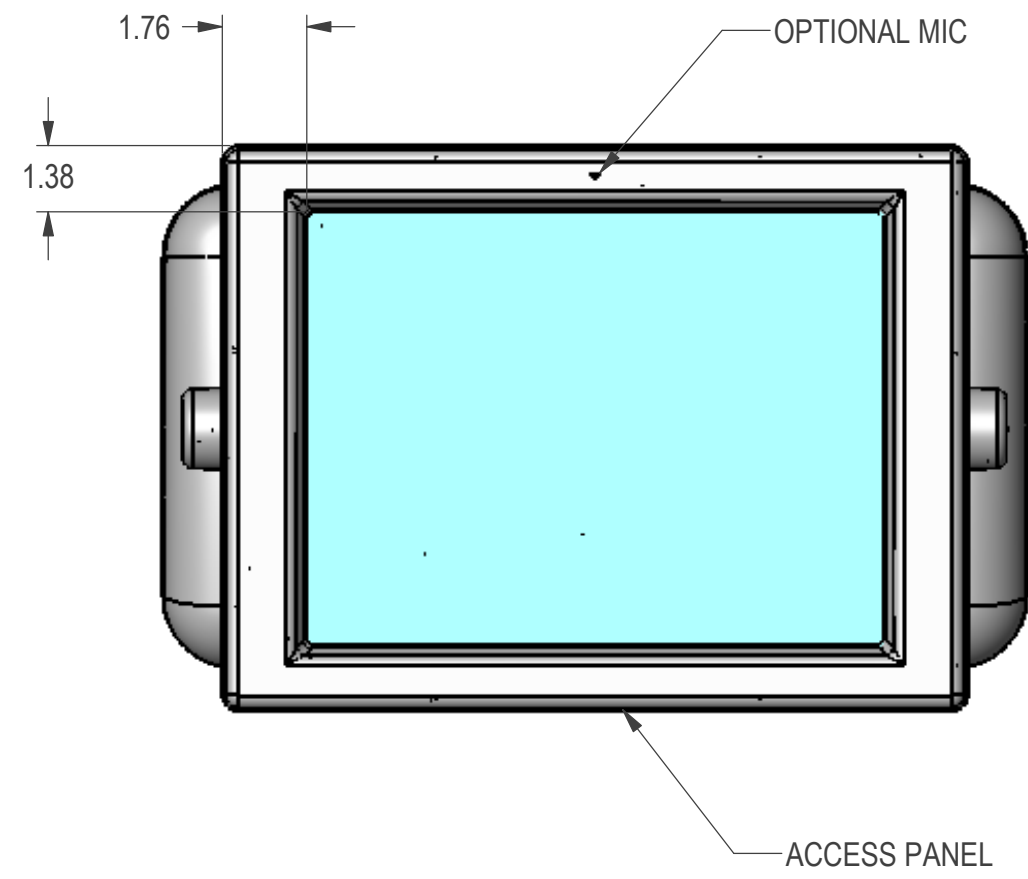
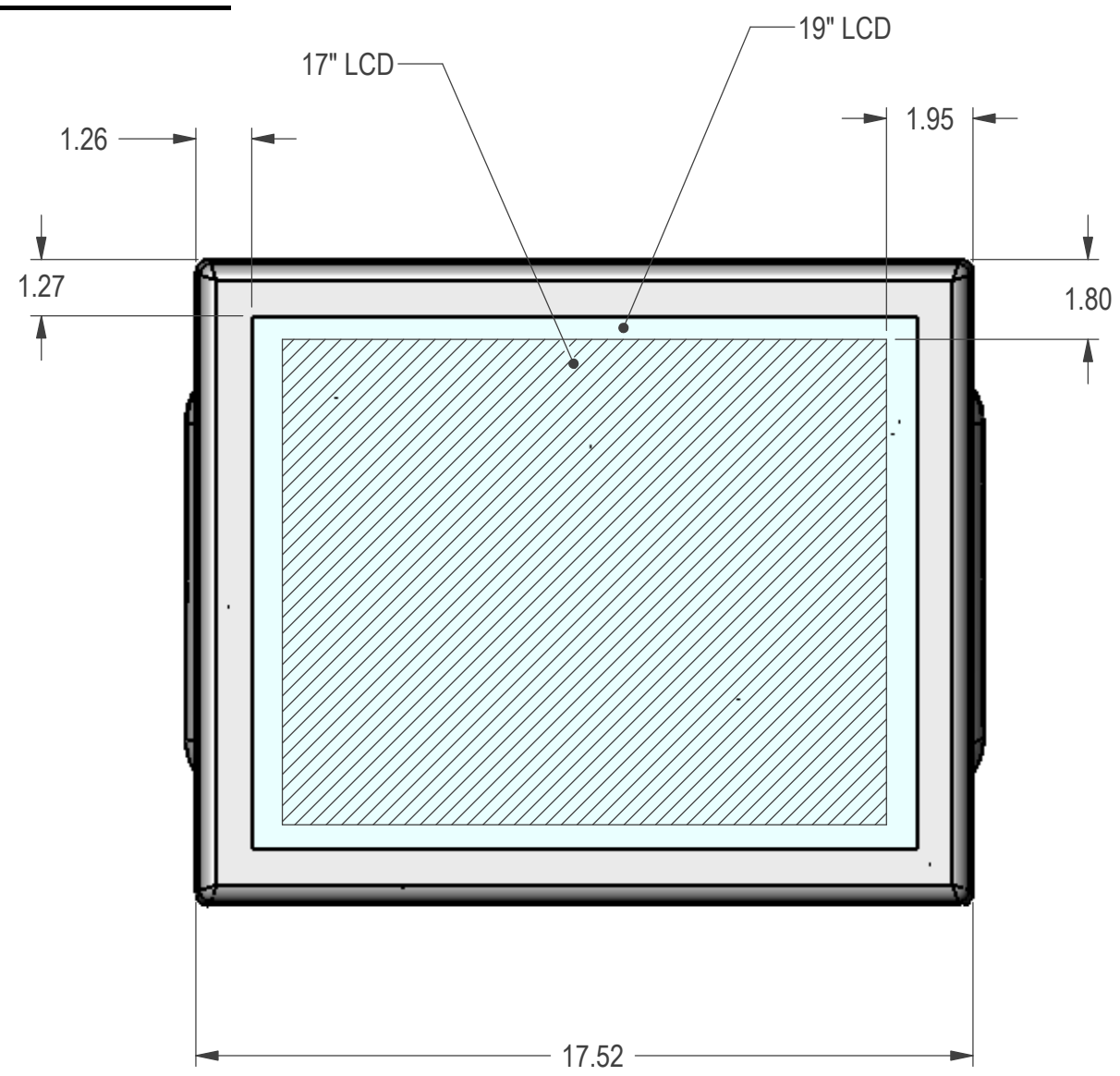


**15"
WallStation**

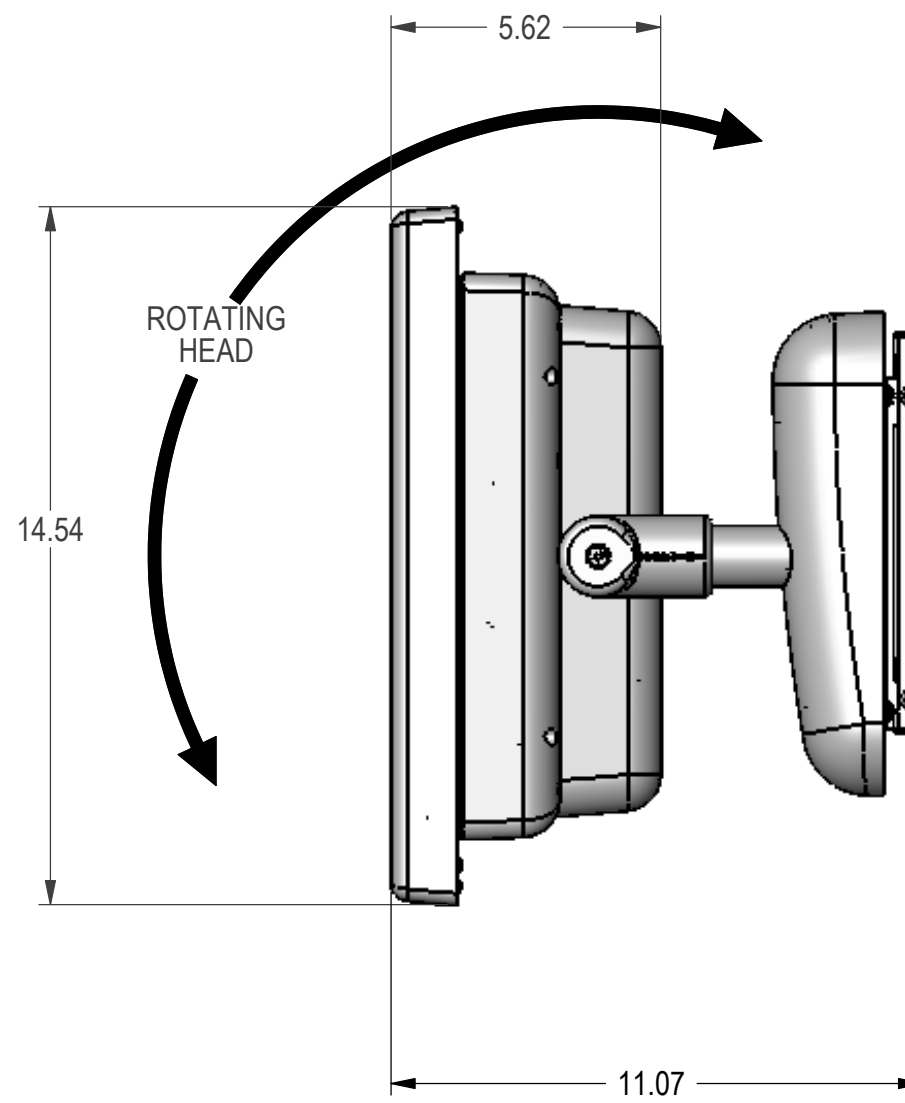


**17"/19"
WallStation**

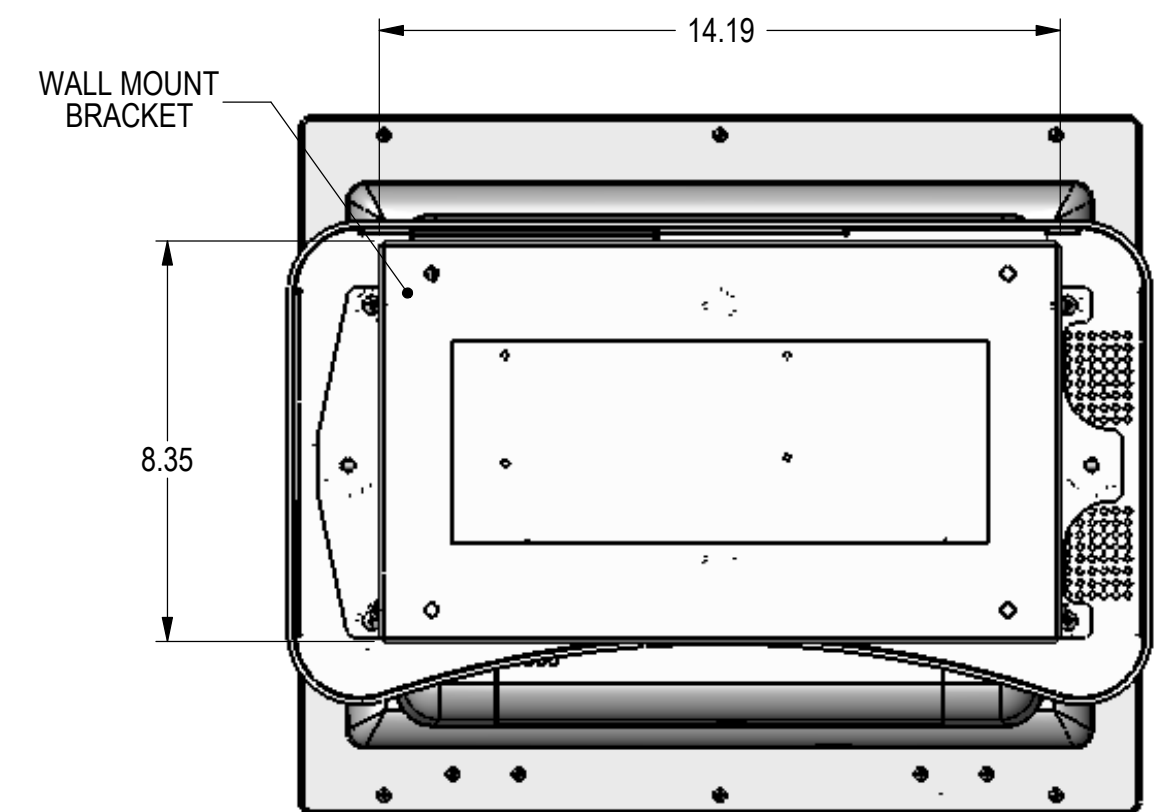
FRONT



SIDE



BACK



SeePoint™
Interactive Kiosk Systems
SeePoint.com 888-587-1777

TITLE			
WallStation			
SIZE	PART NO.	DWG NO.	REV
C		SP061203-02	N/C
DO NOT SCALE/PRINT REDUCED			SCALE
			1=4