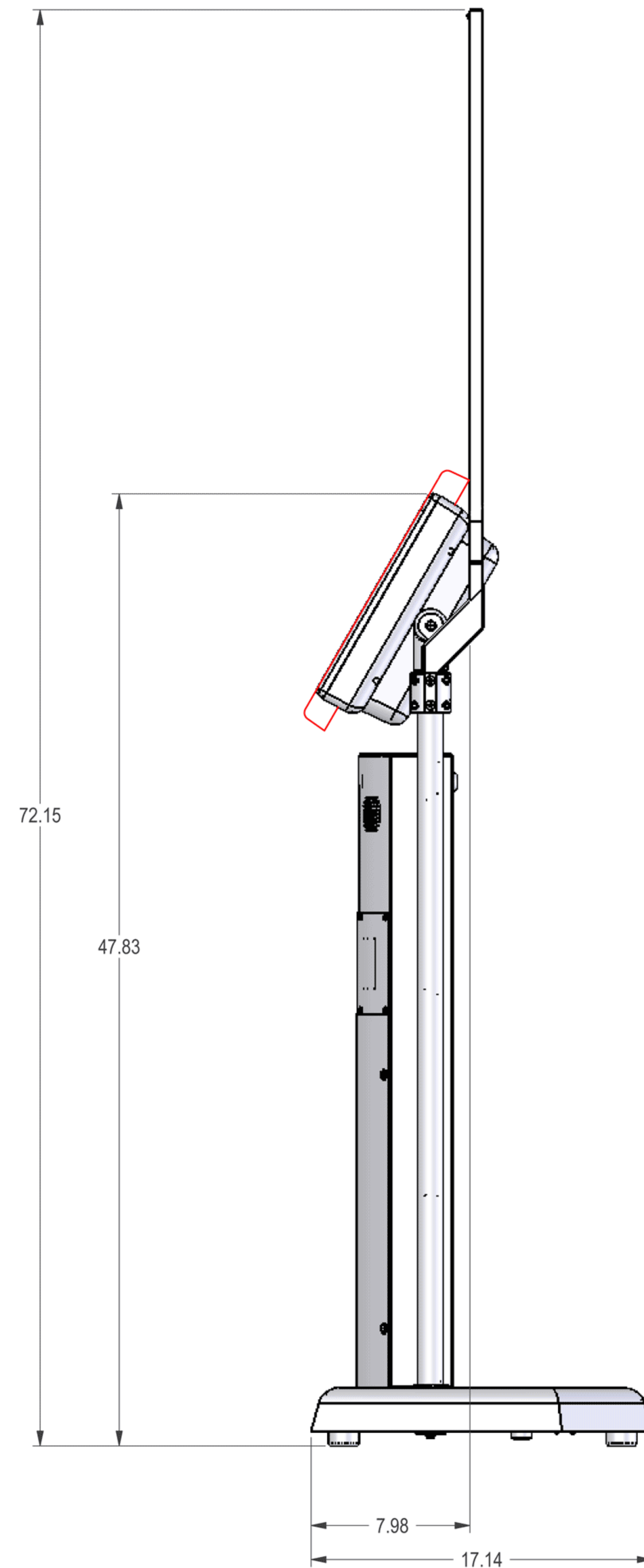
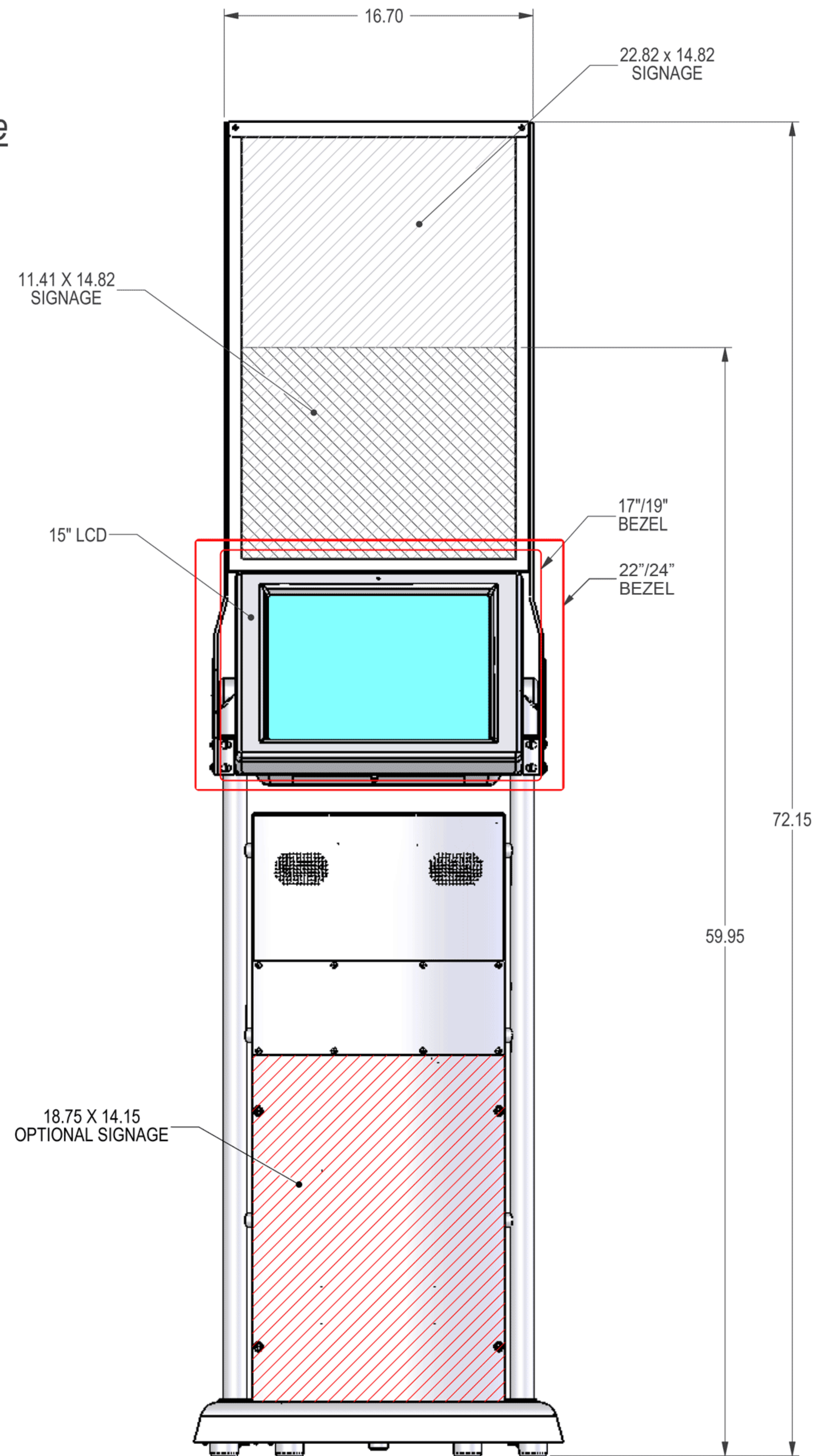


Singage



SeePoint
Interactive Kiosk Systems
SeePoint.com 888-587-1777

TITLE			
Signage			
SIZE	PART NO.	DWG NO.	REV
C		SP061203-08	N/C
DO NOT SCALE/PRINT REDUCED			SCALE
			NONE