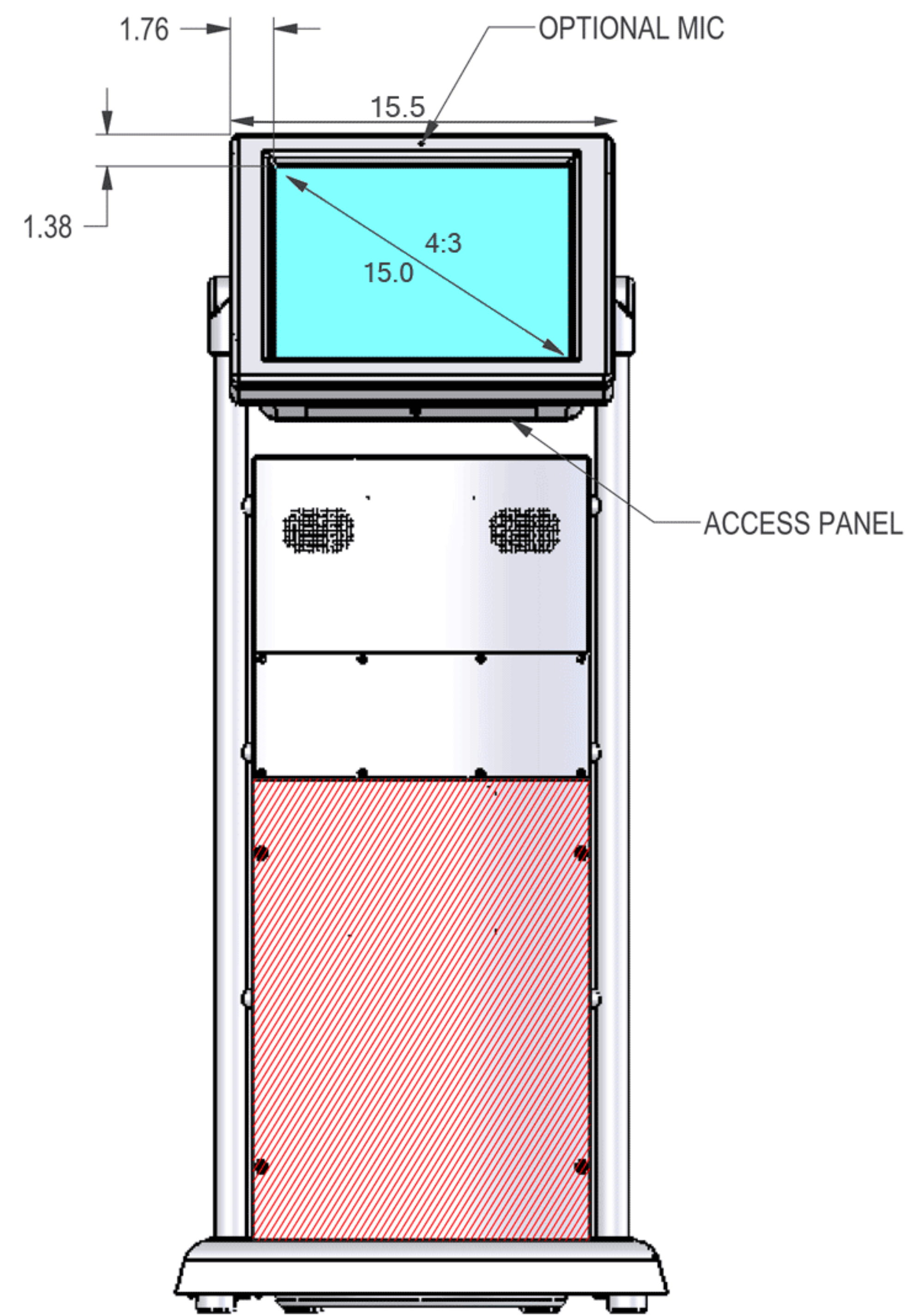
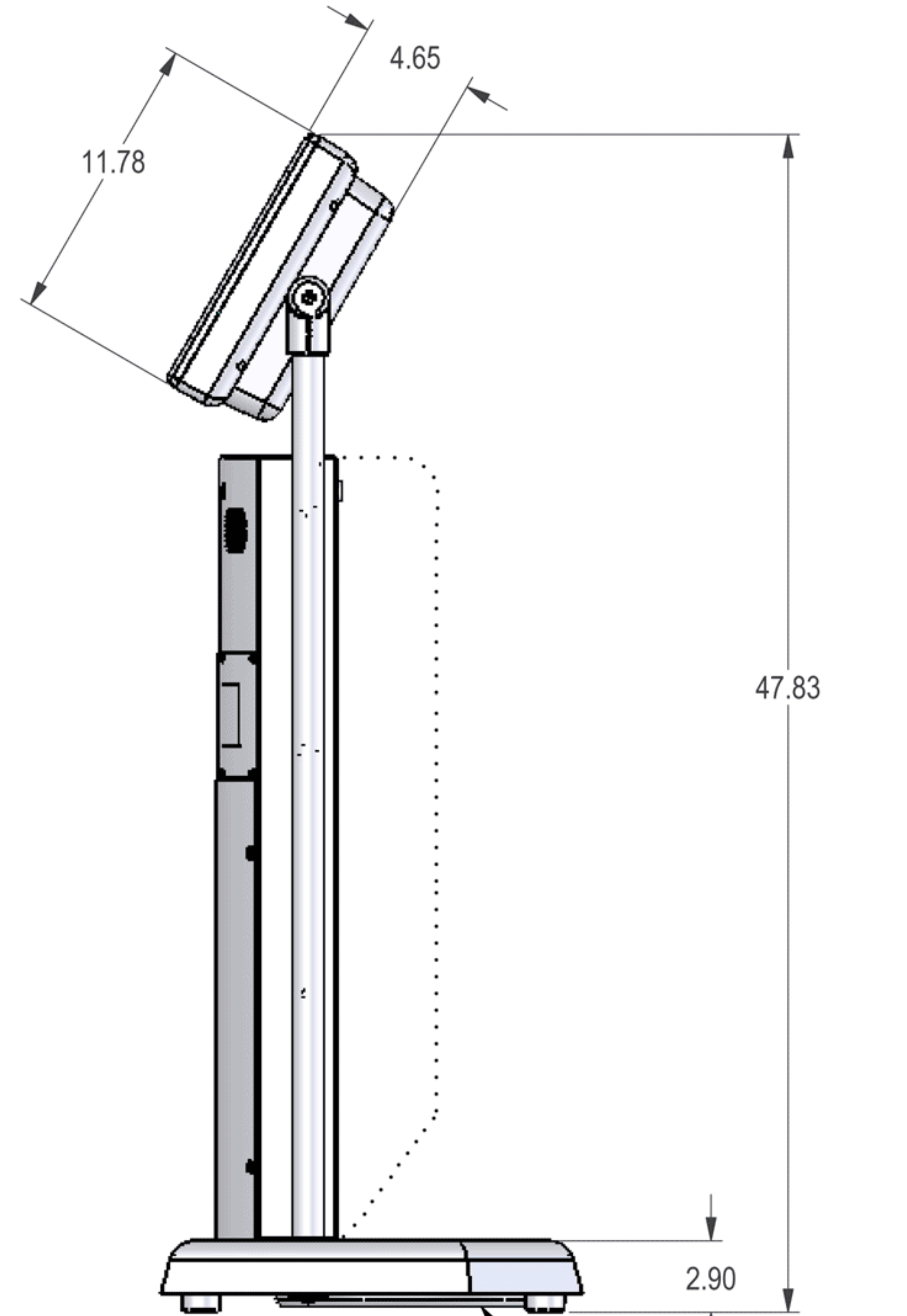


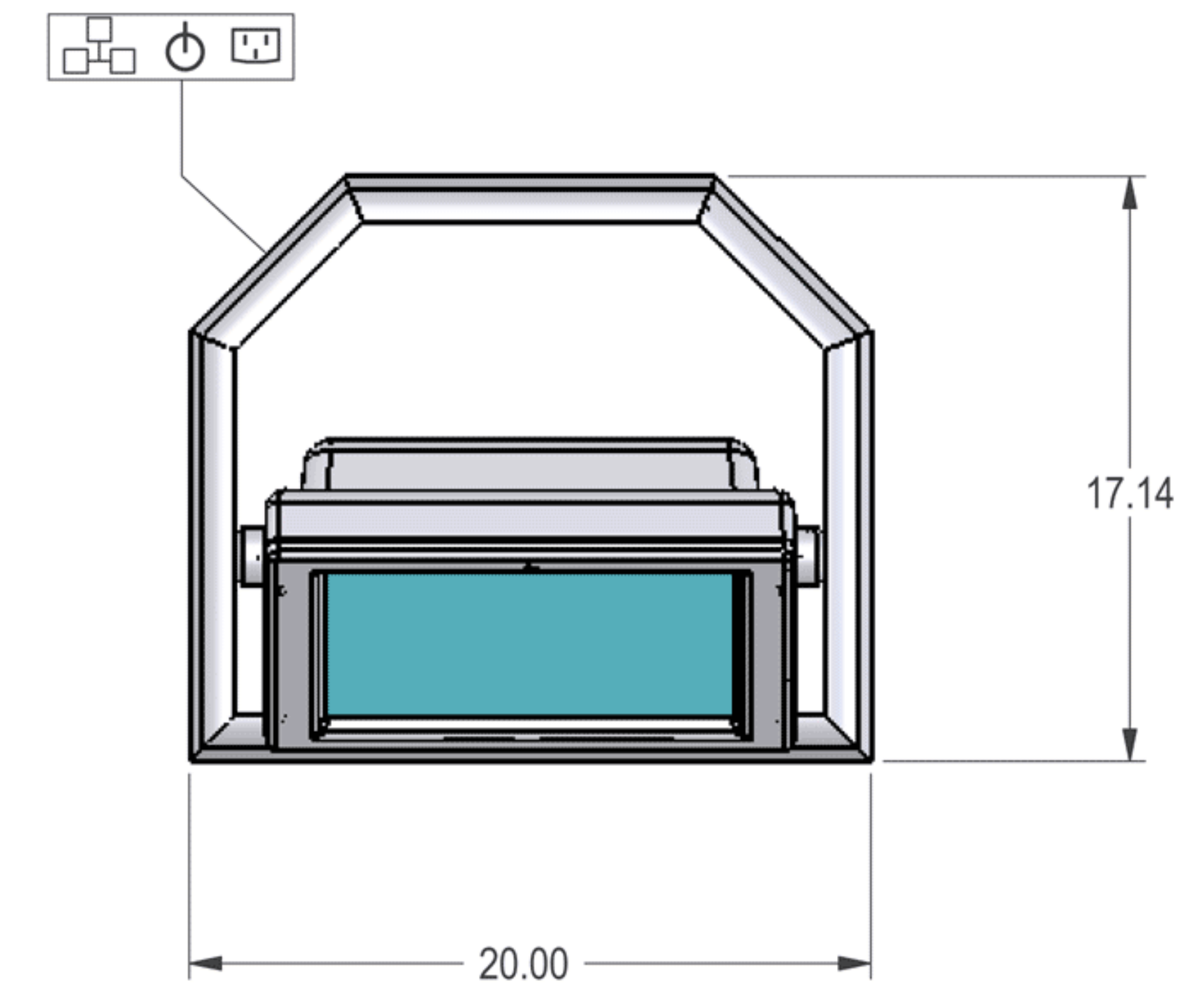
**15"
VantagePoint**



FRONT

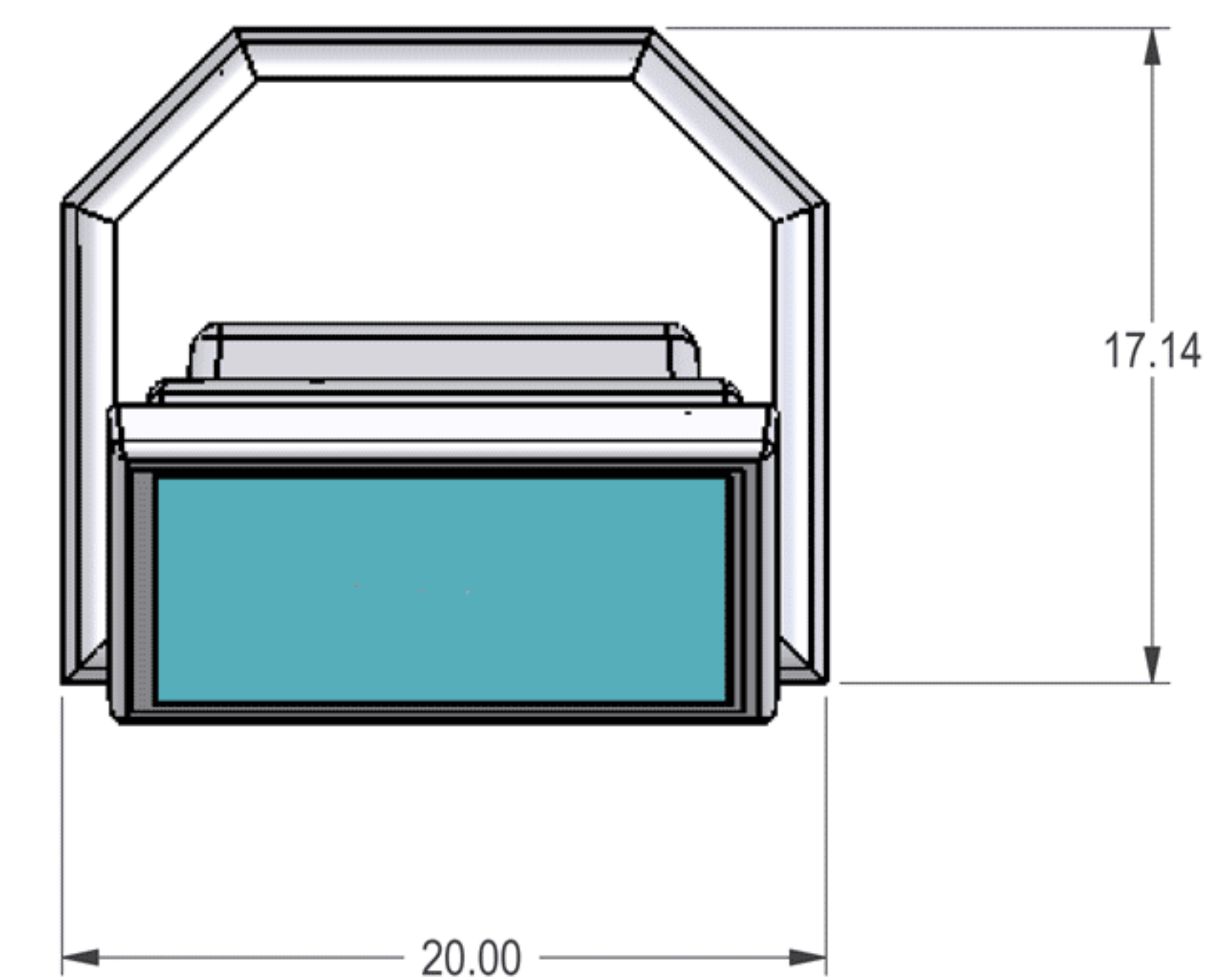
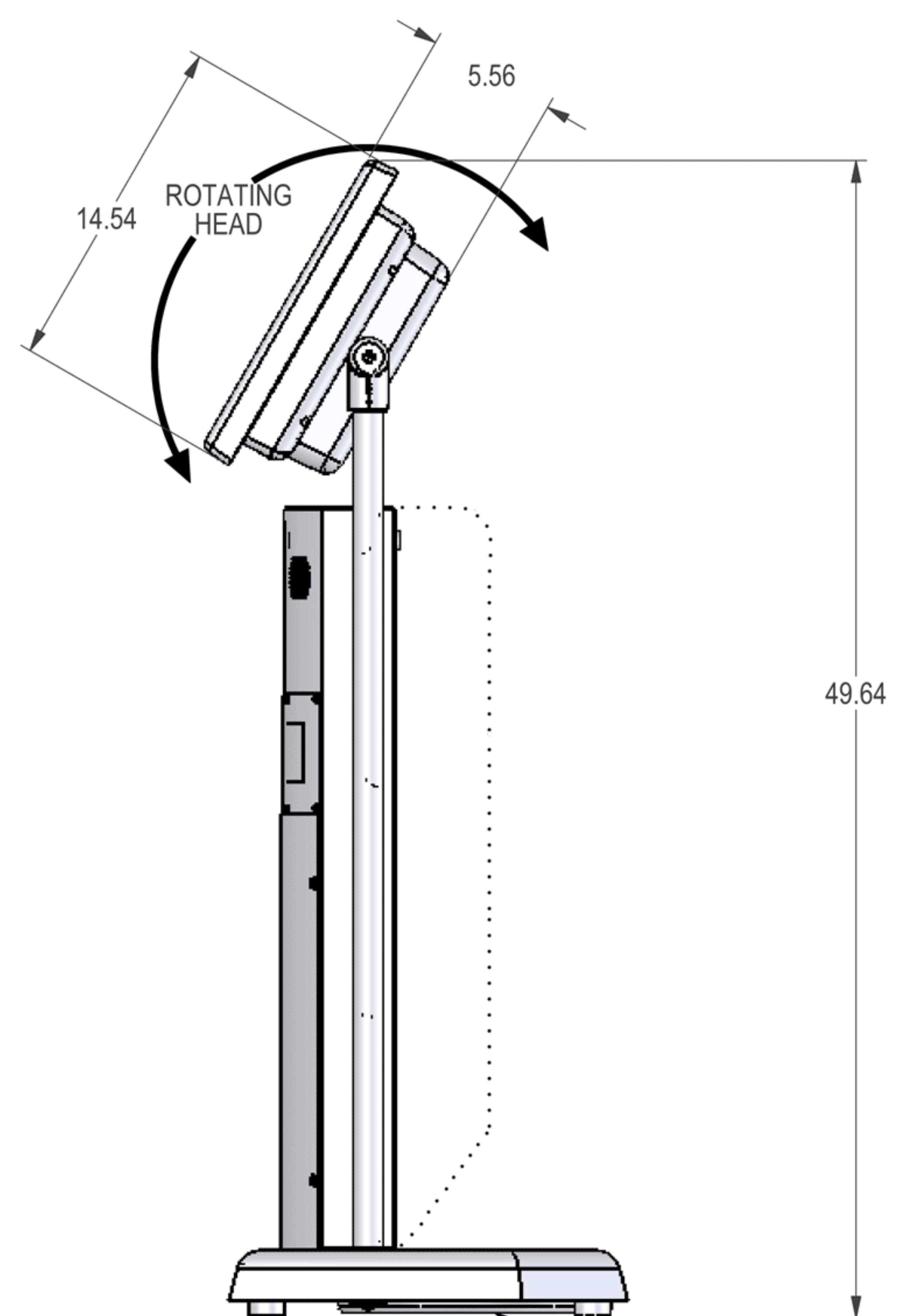
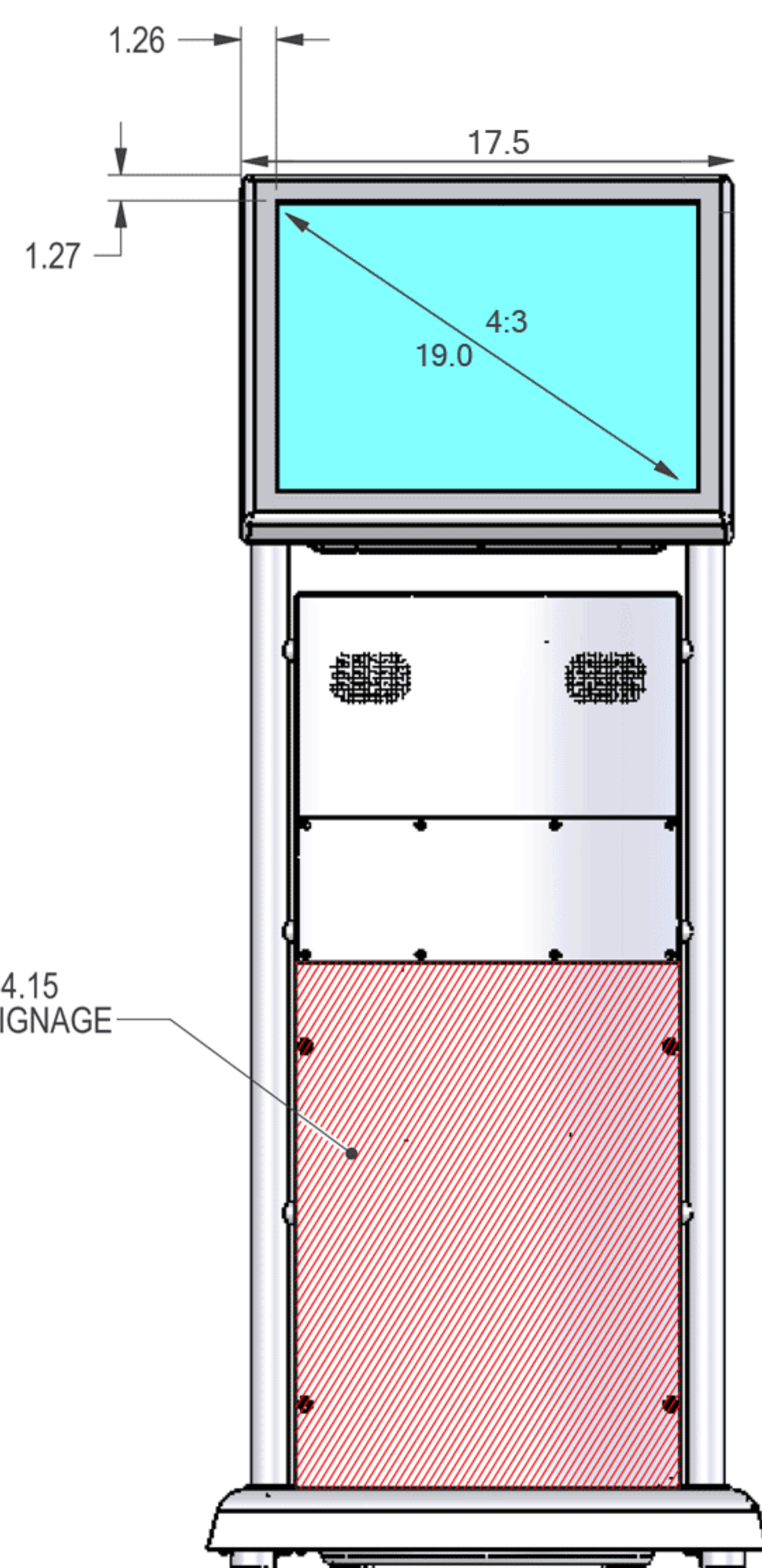


SIDE



TOP

**19"
VantagePoint**

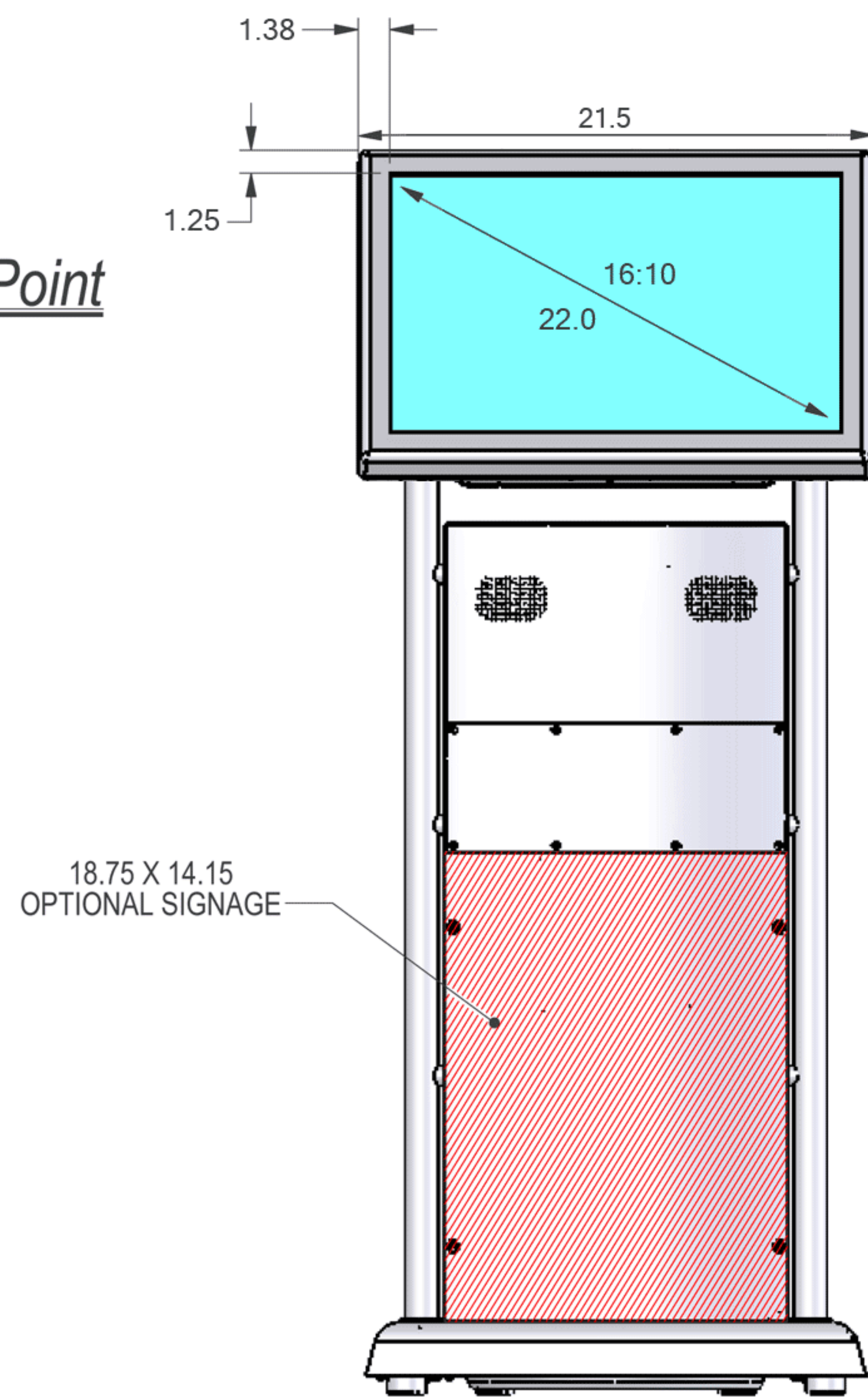


SeePoint™
Interactive Kiosk Systems
SeePoint.com 888-587-1777

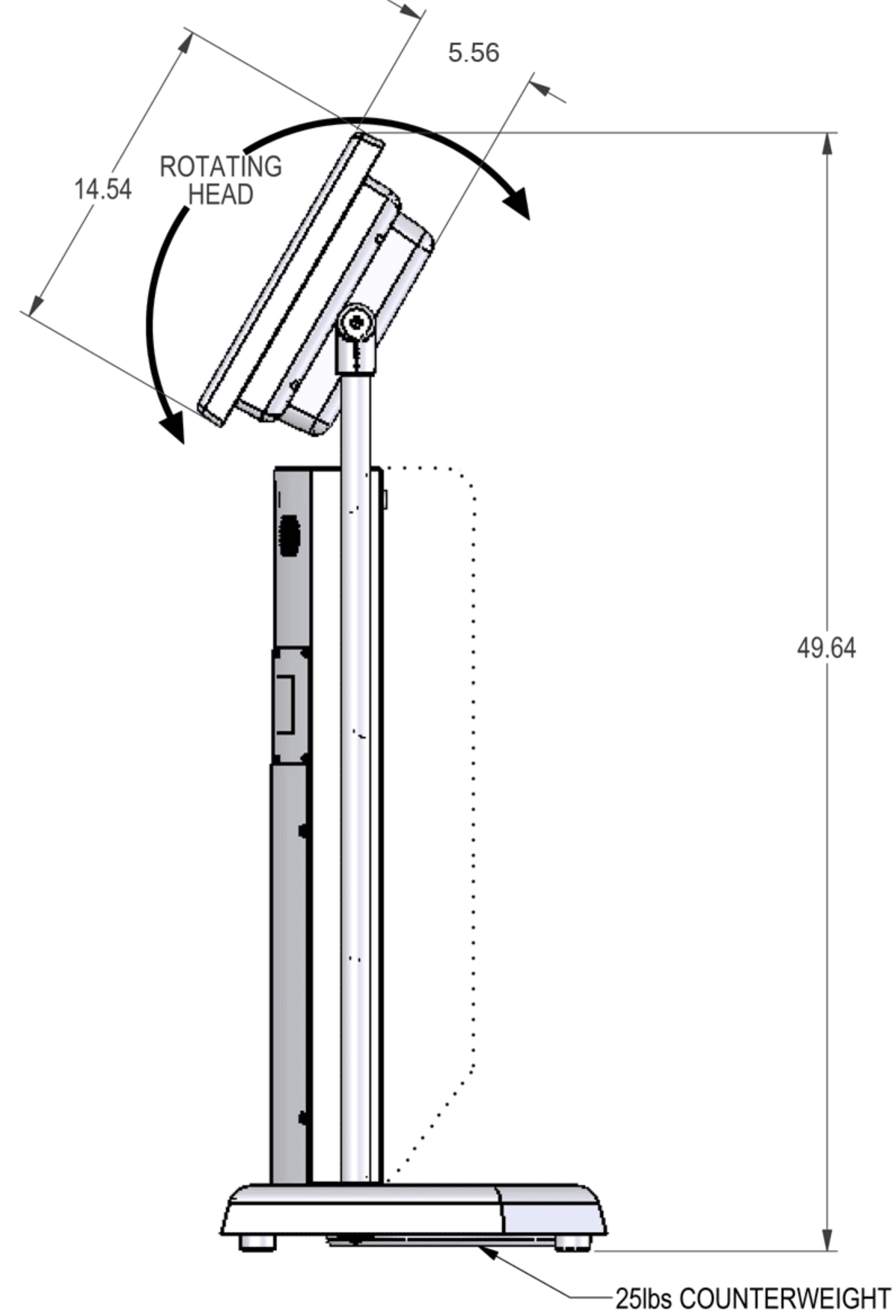
TITLE: **VantagePoint**

SIZE C	PART NO.	DWG NO. SP061203-05	REV N/C
DO NOT SCALE/PRINT REDUCED			SCALE NONE

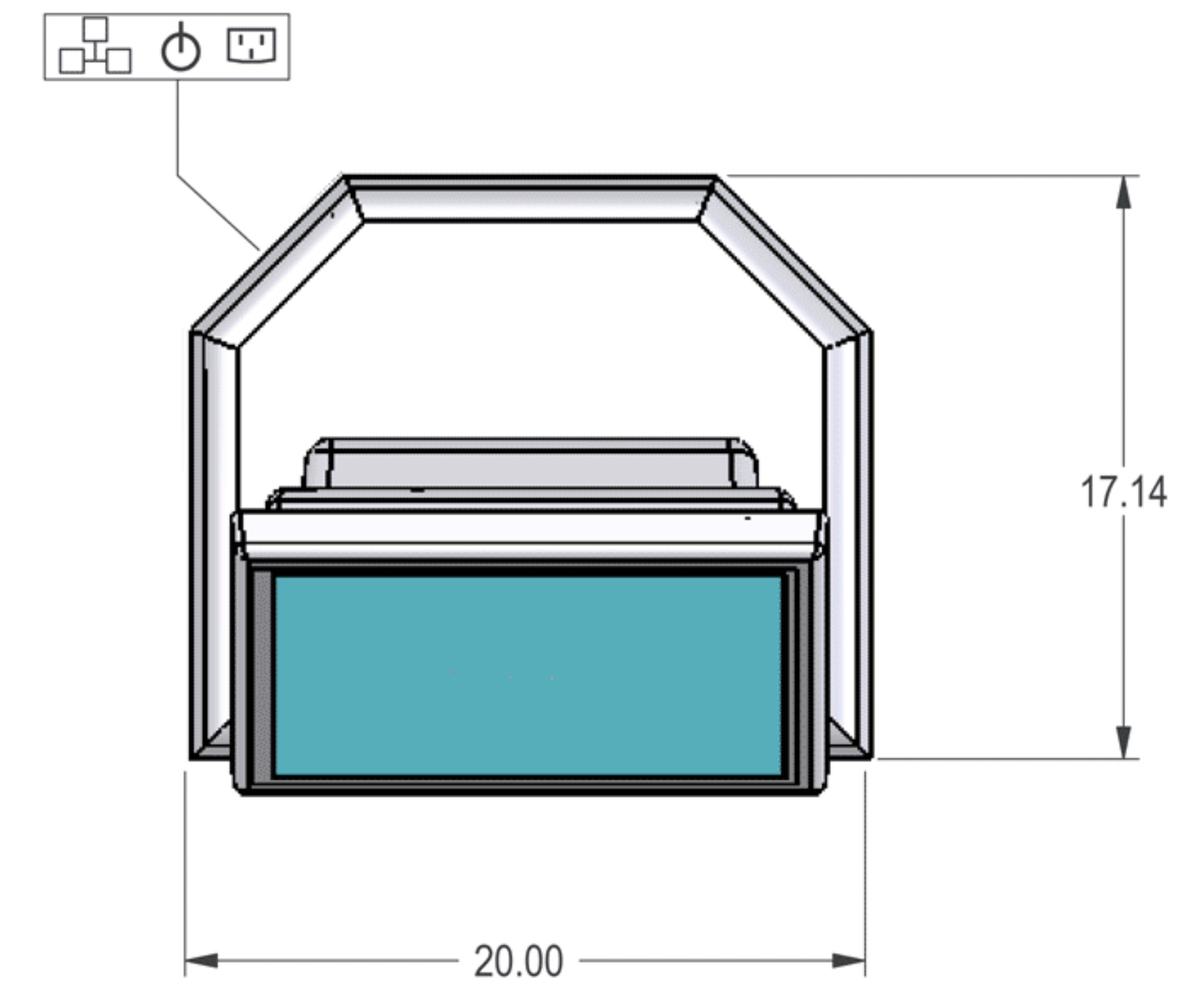
**22"
VantagePoint**



FRONT

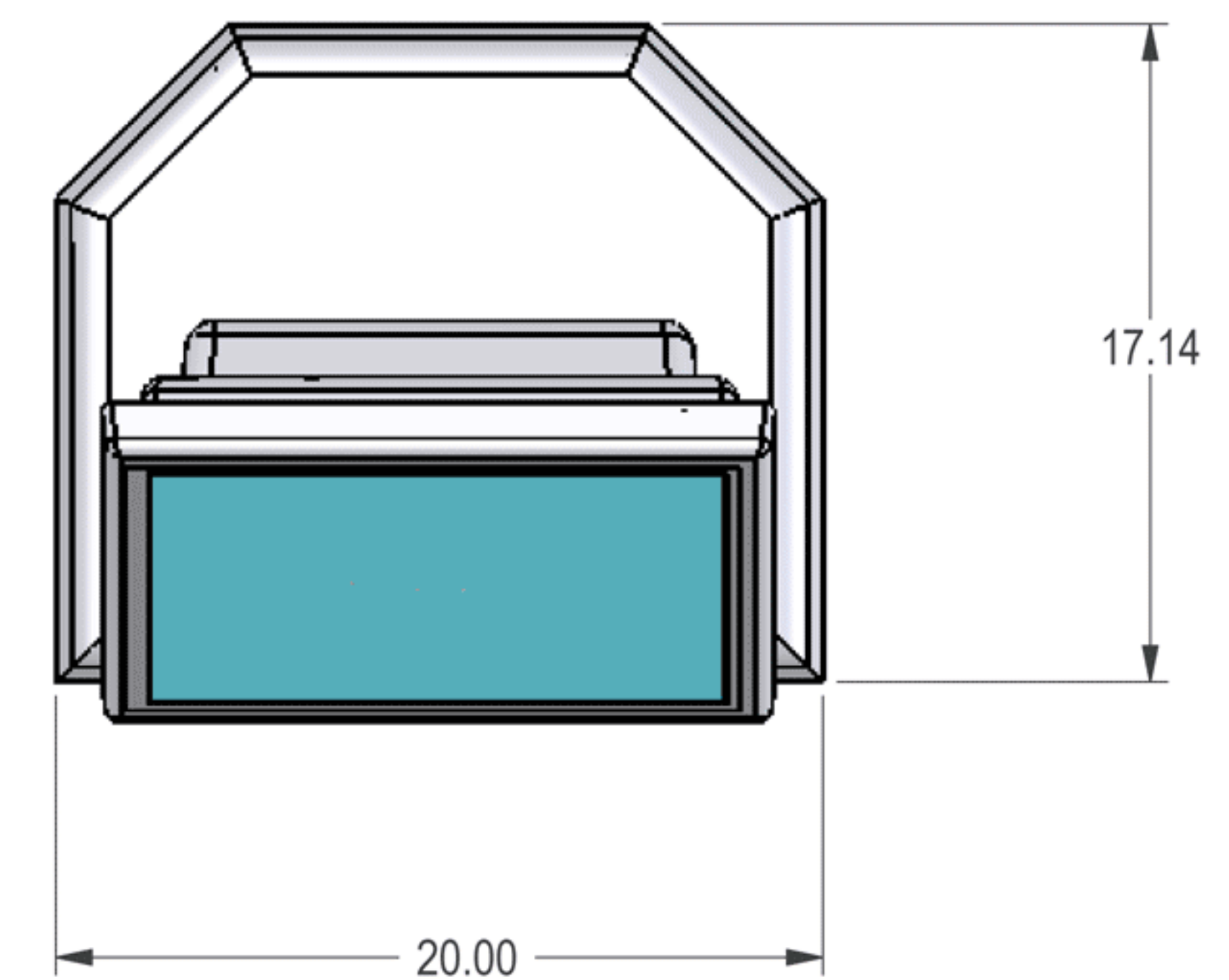
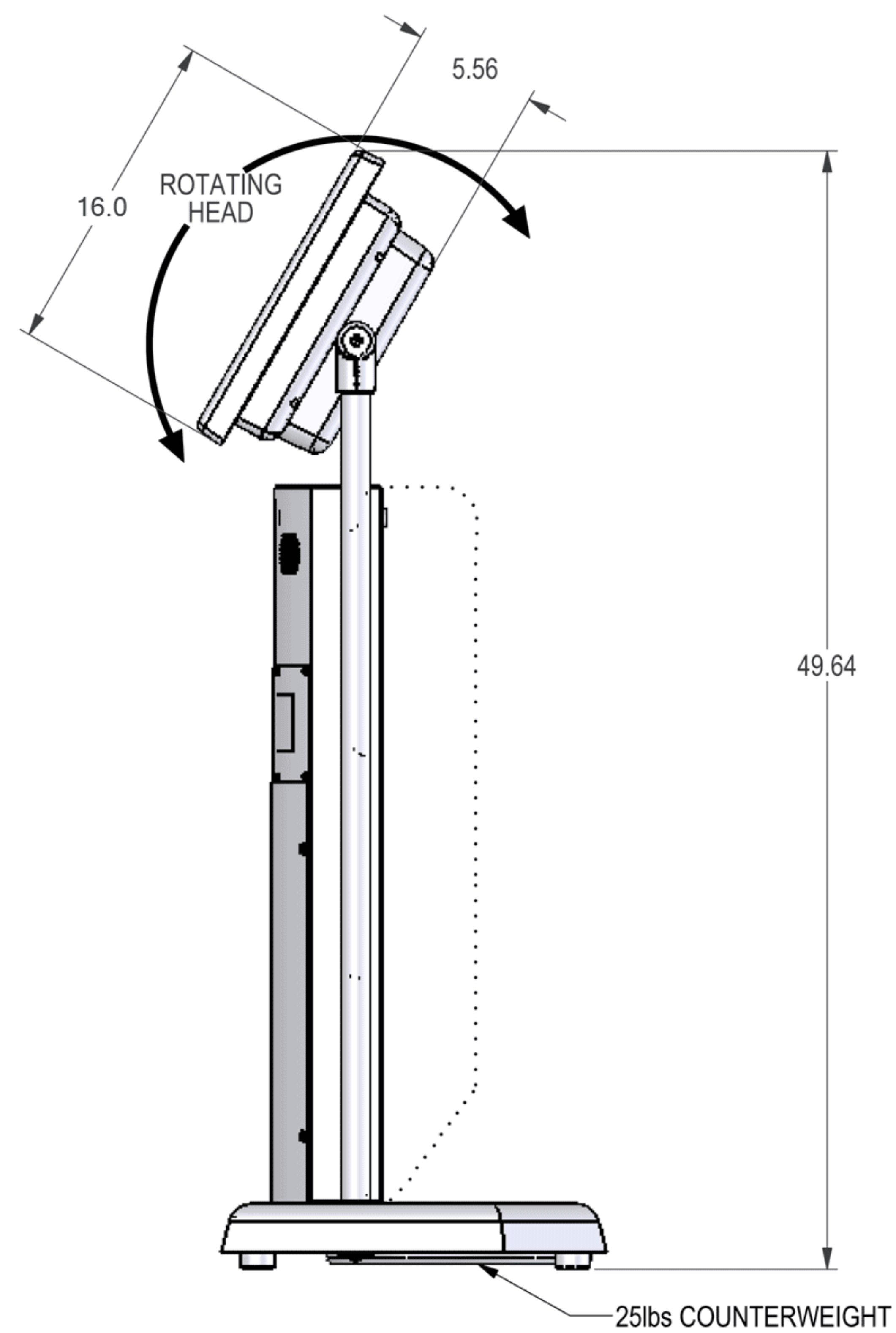
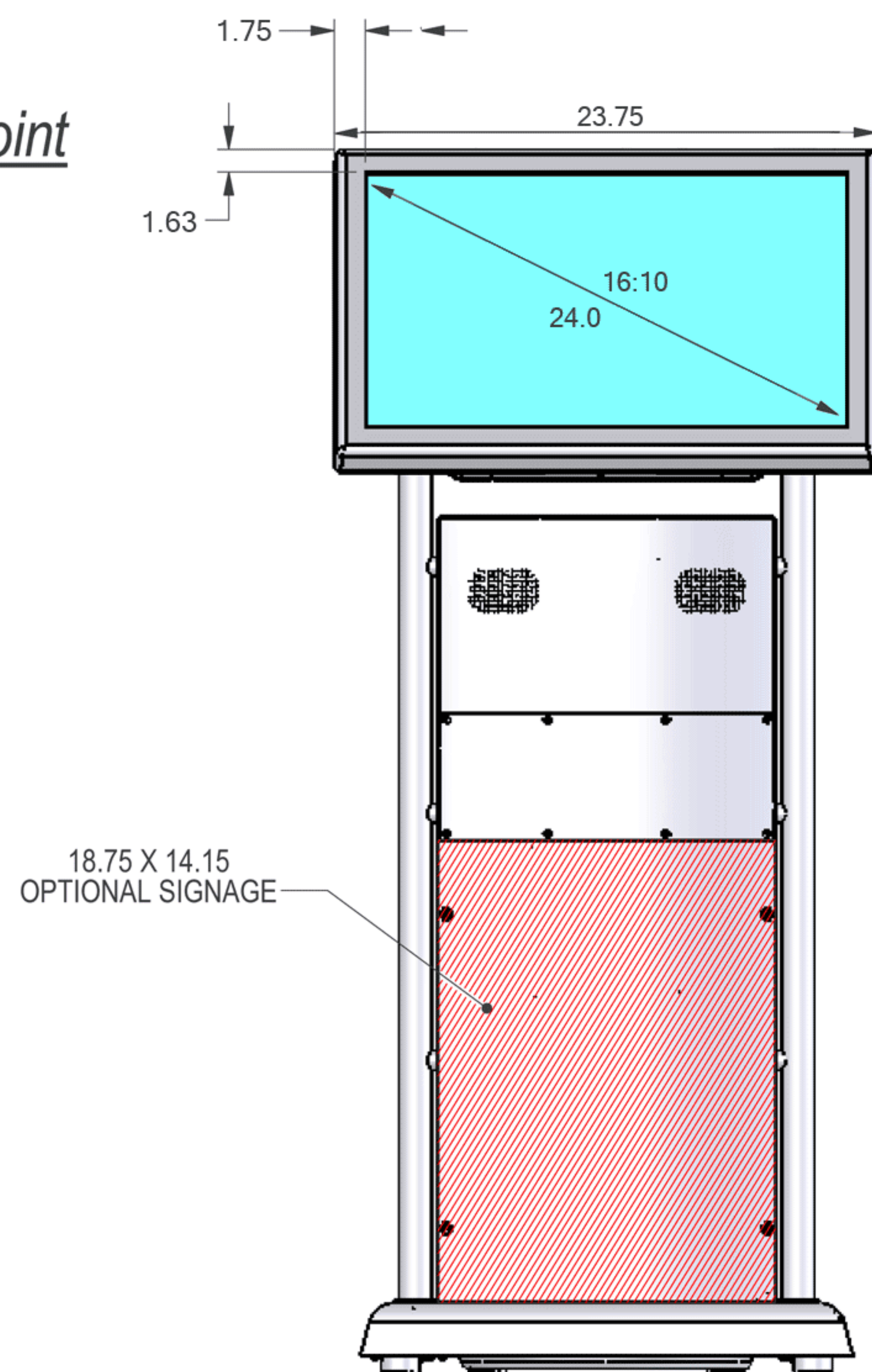


SIDE



TOP

**24"
VantagePoint**



SeePoint™ Interactive Kiosk Systems SeePoint.com 888-587-1777			
TITLE VantagePoint			
SIZE C	PART NO.	DWG NO. SP061203-05	REV N/C
DO NOT SCALE/PRINT REDUCED			SCALE NONE