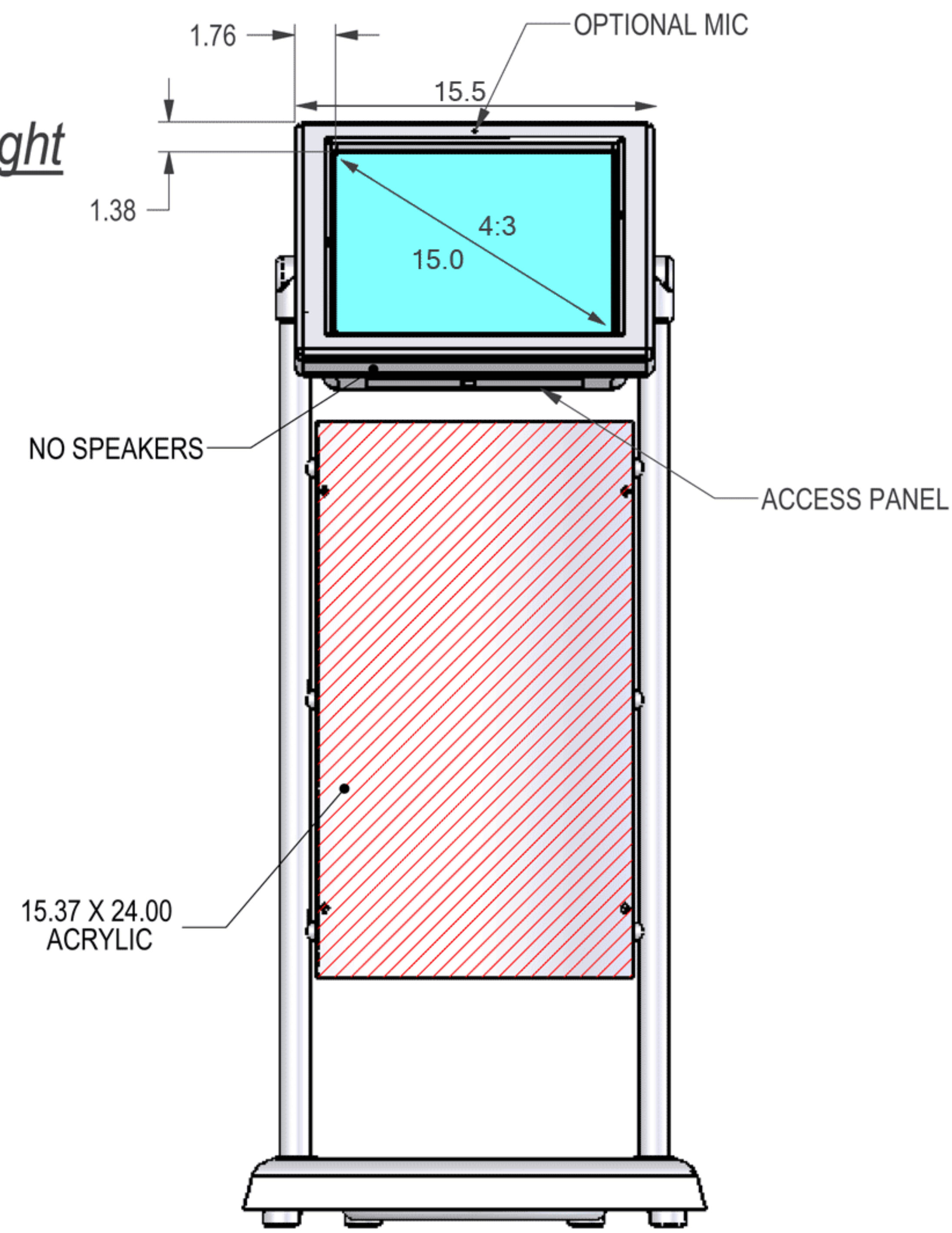
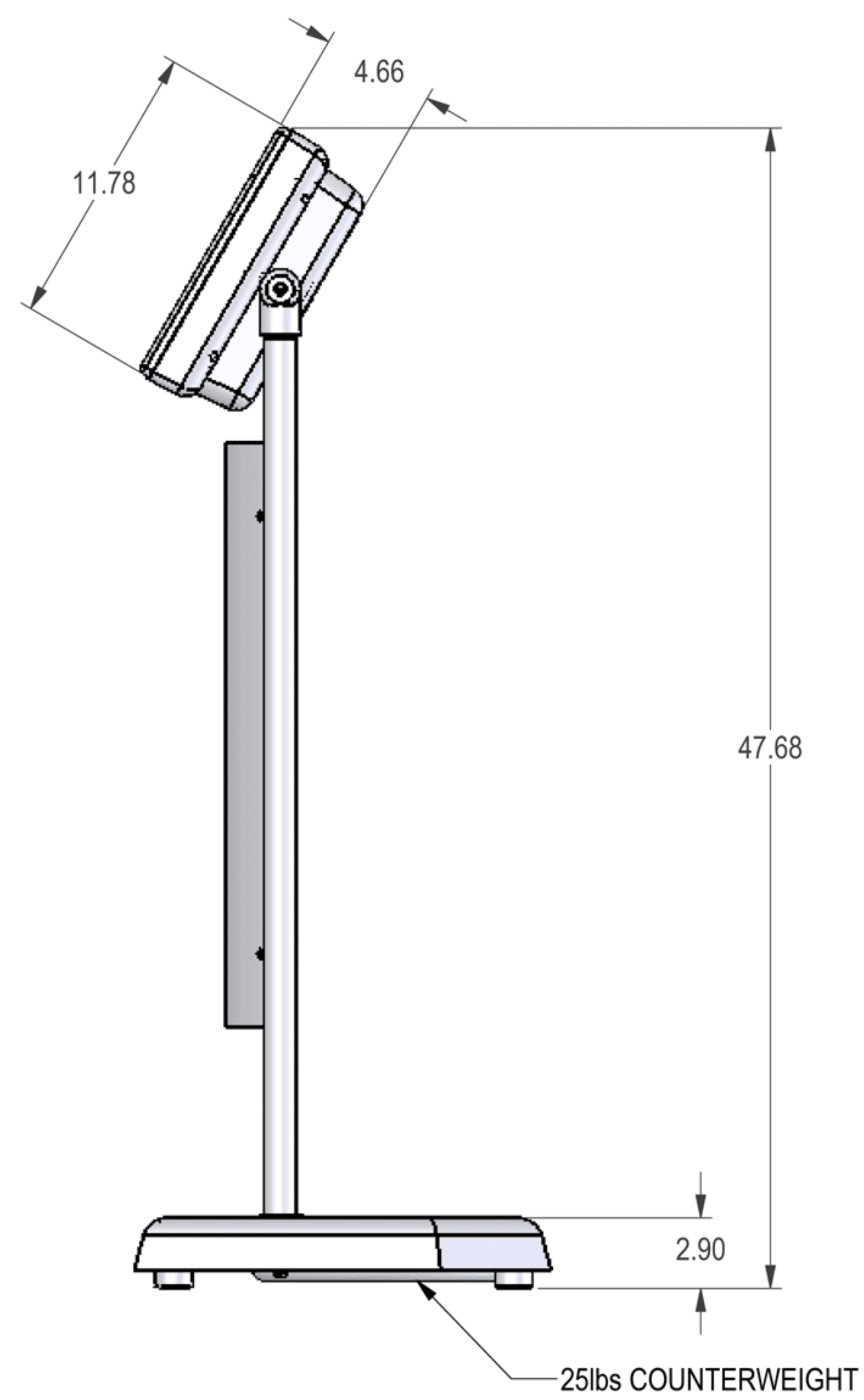


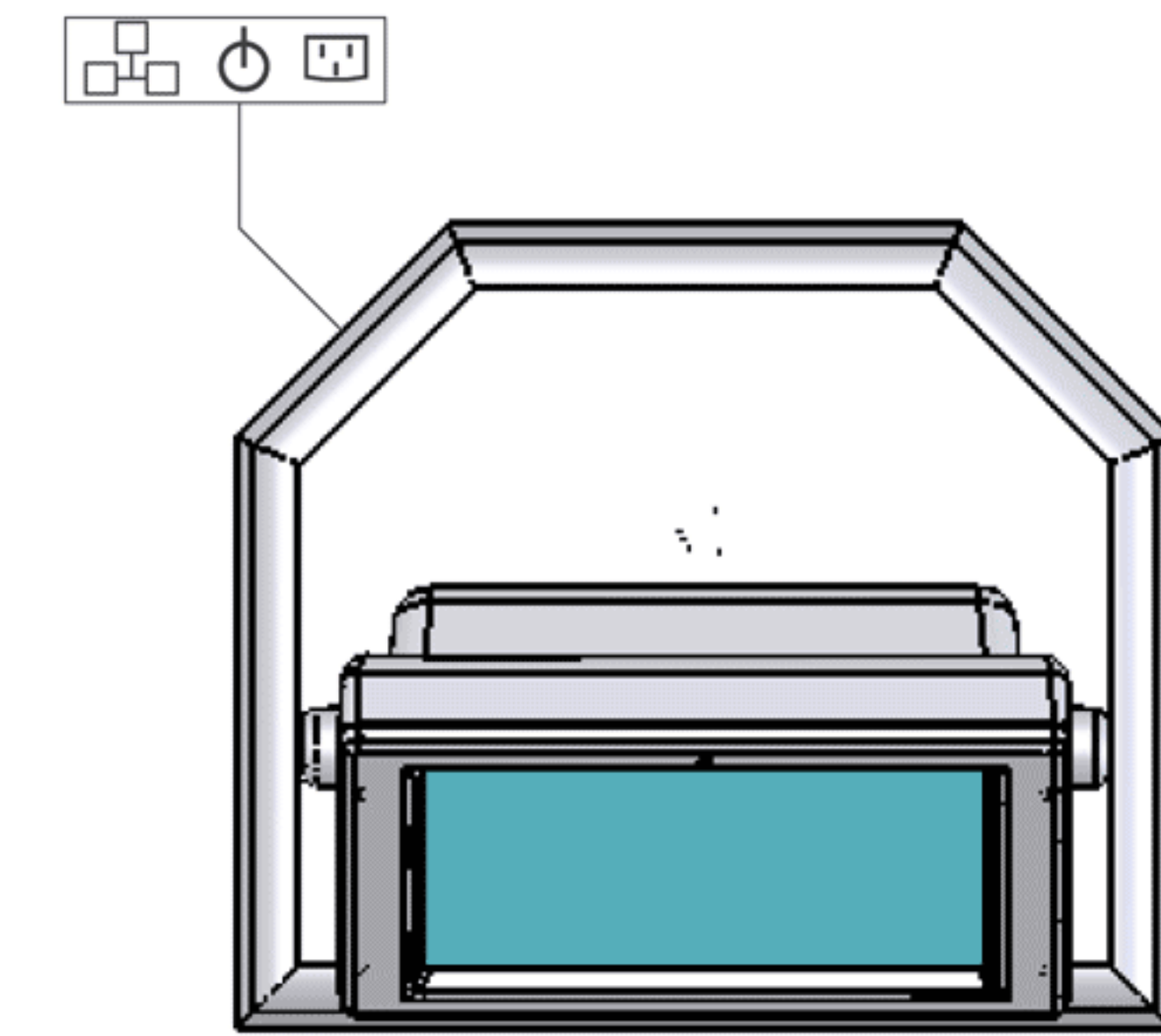
**15"**  
**VantagePoint Light**



FRONT

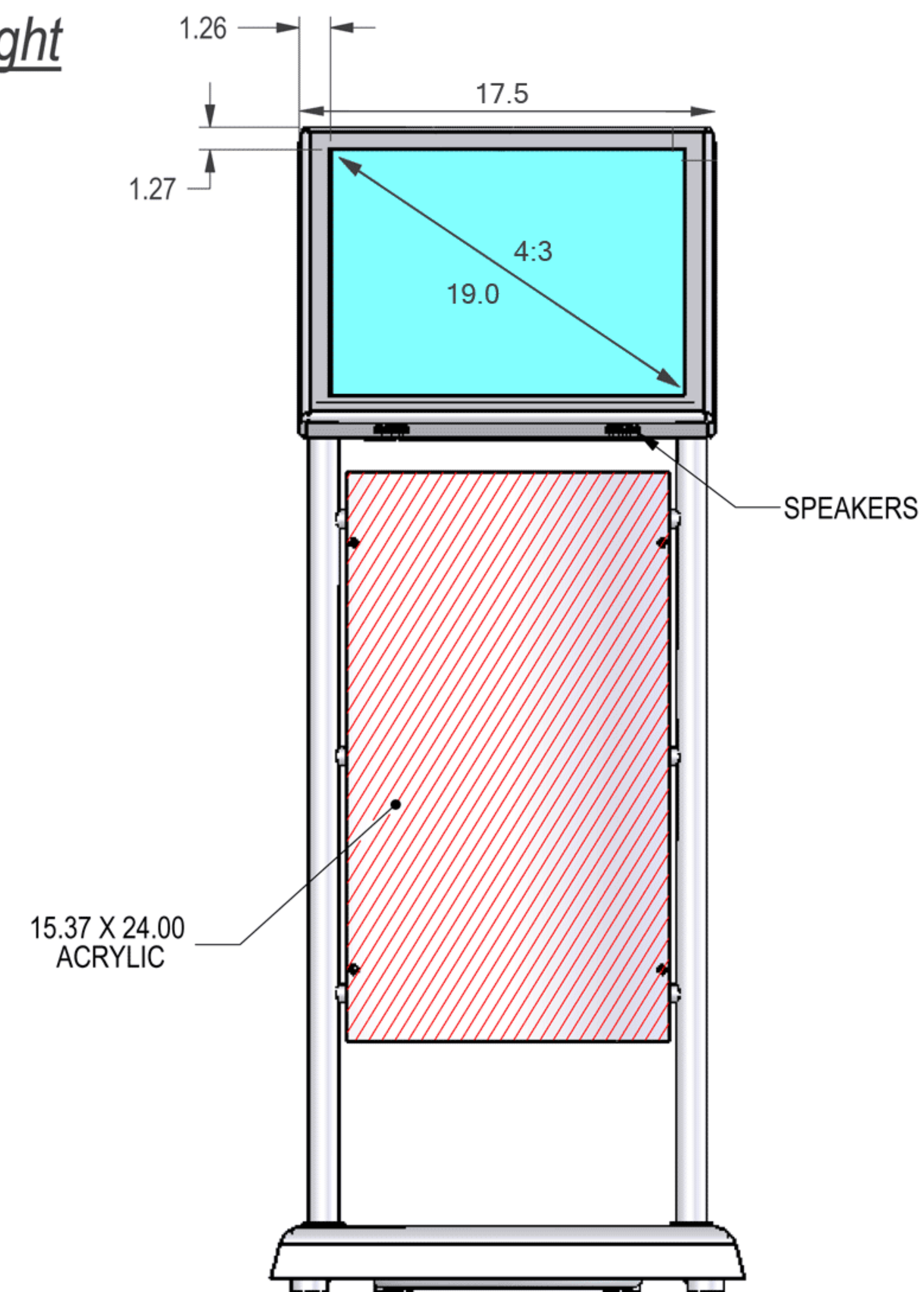


SIDE

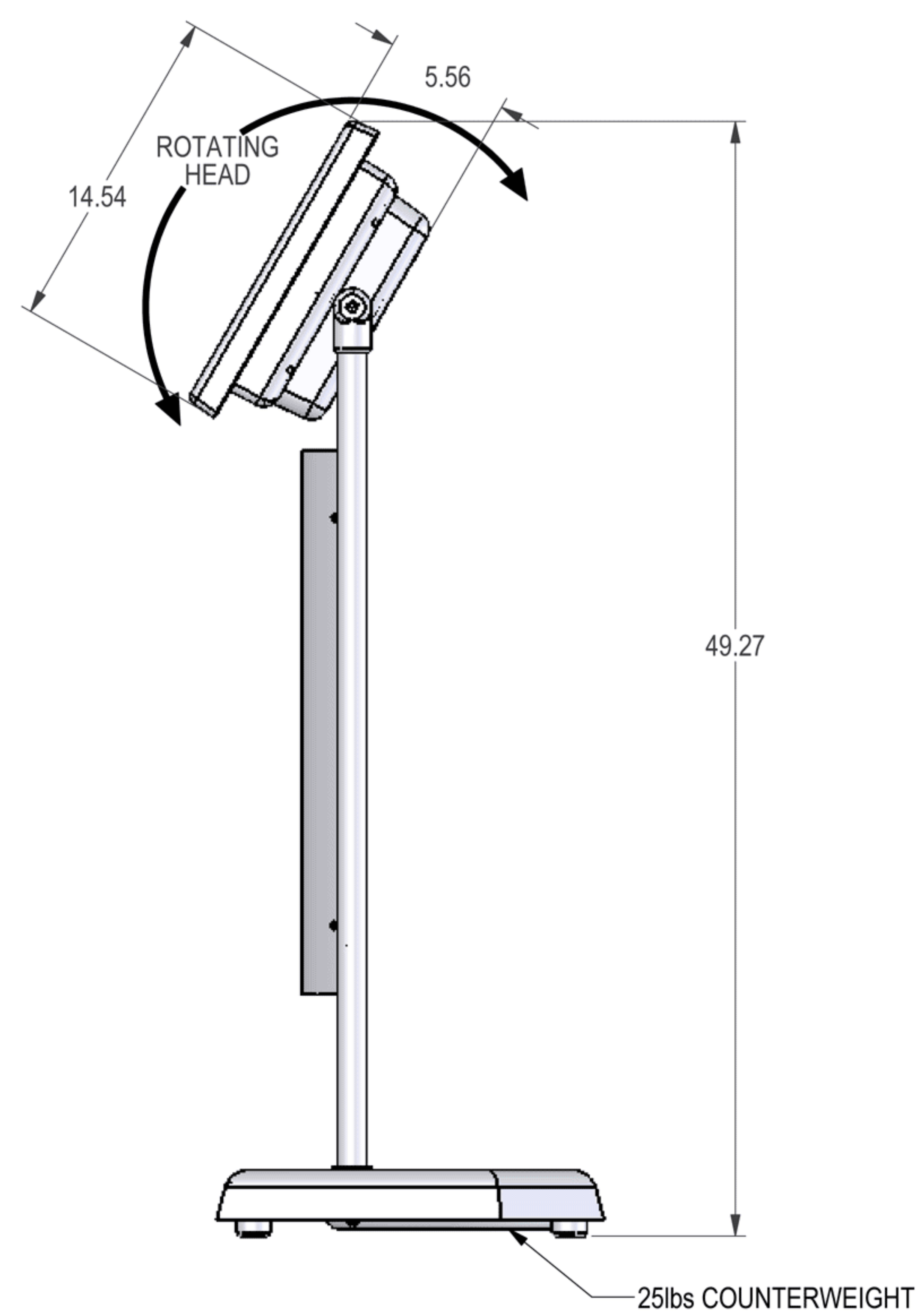


TOP

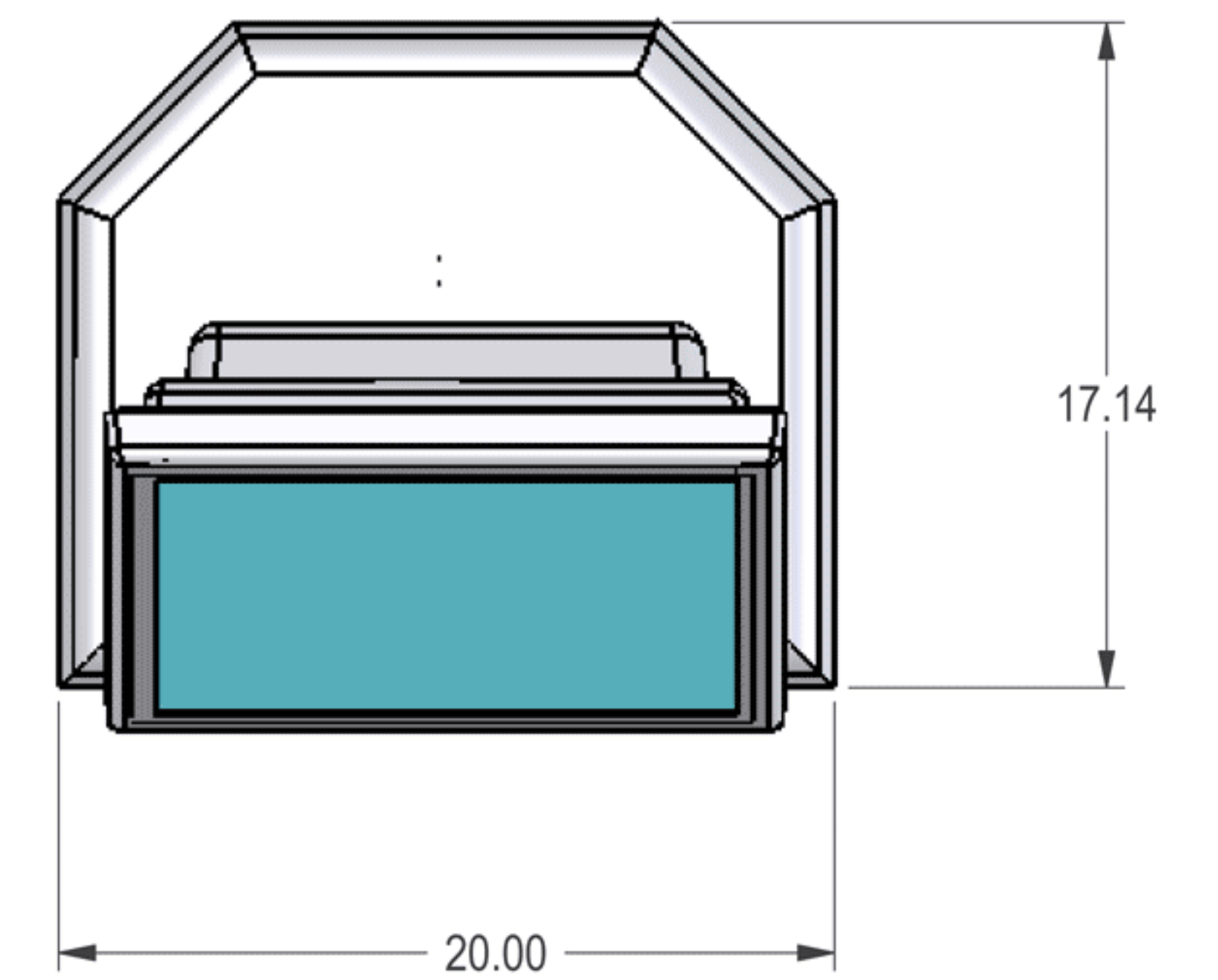
**19"**  
**VantagePoint Light**



FRONT



SIDE



TOP

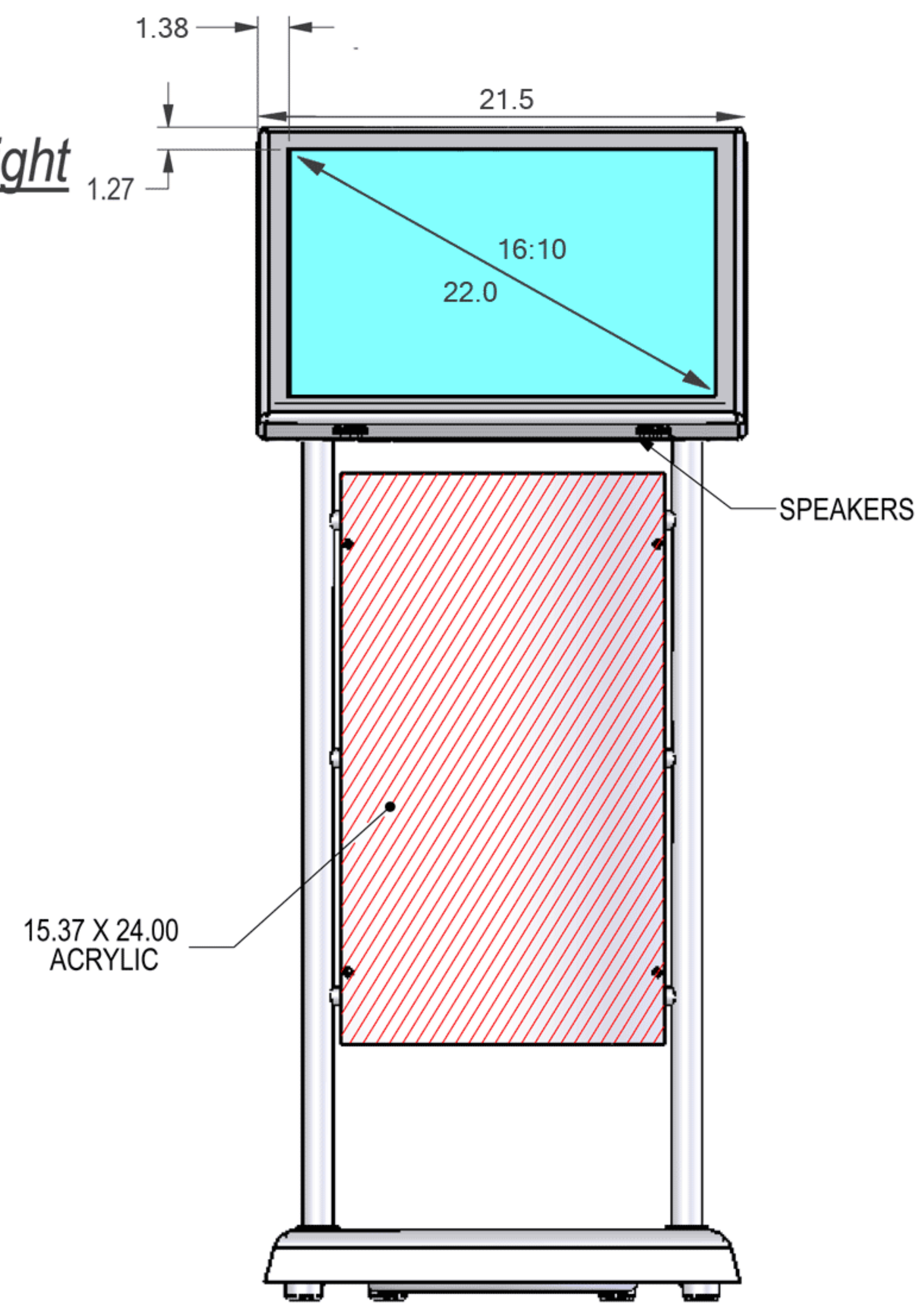
**SeePoint™**  
Interactive Kiosk Systems

SeePoint.com 888-587-1777

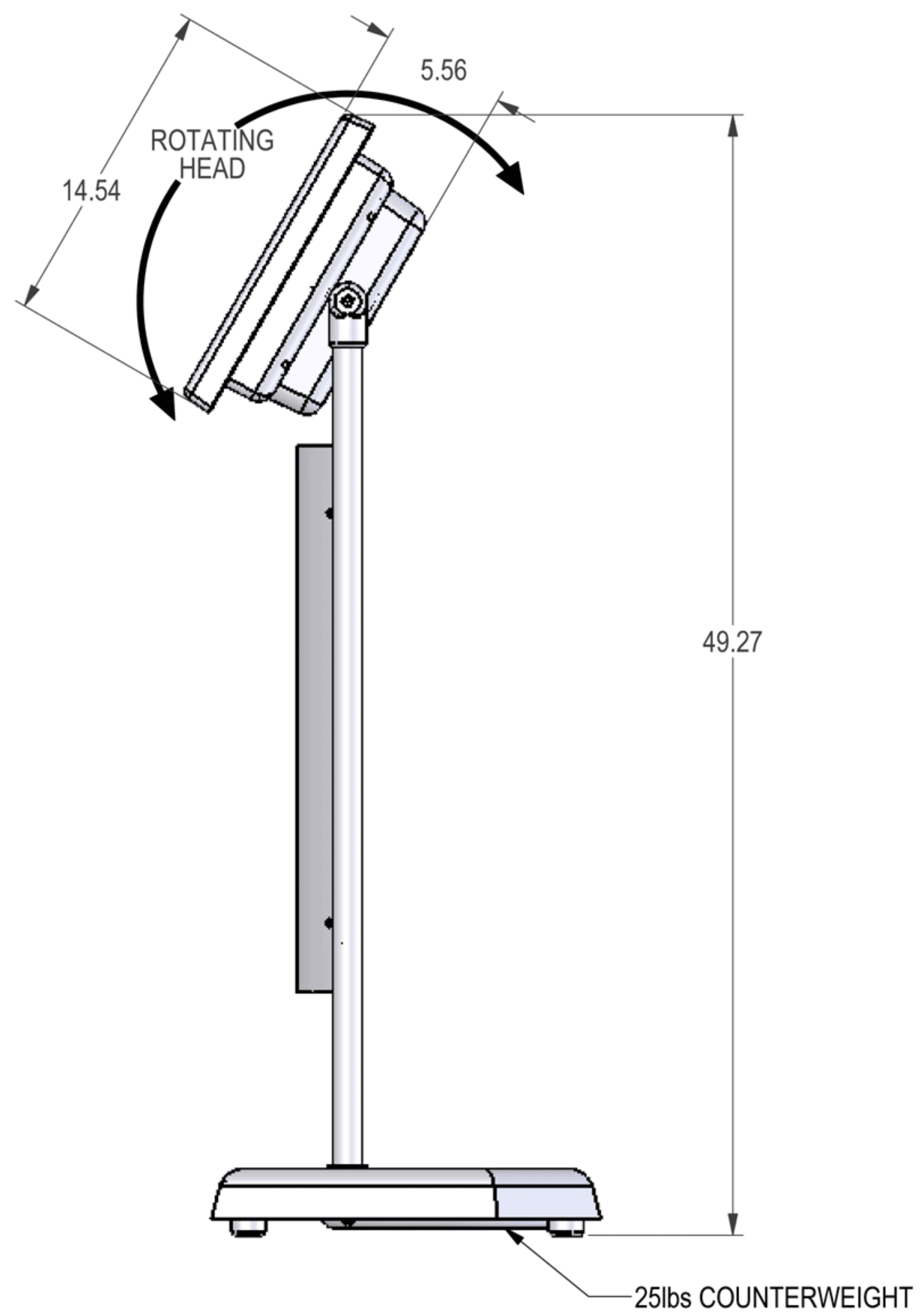
TITLE  
**VantagePoint Light**

SIZE C	PART NO.	DWG NO. SP061203-04	REV N/C
DO NOT SCALE/PRINT REDUCED			SCALE NONE

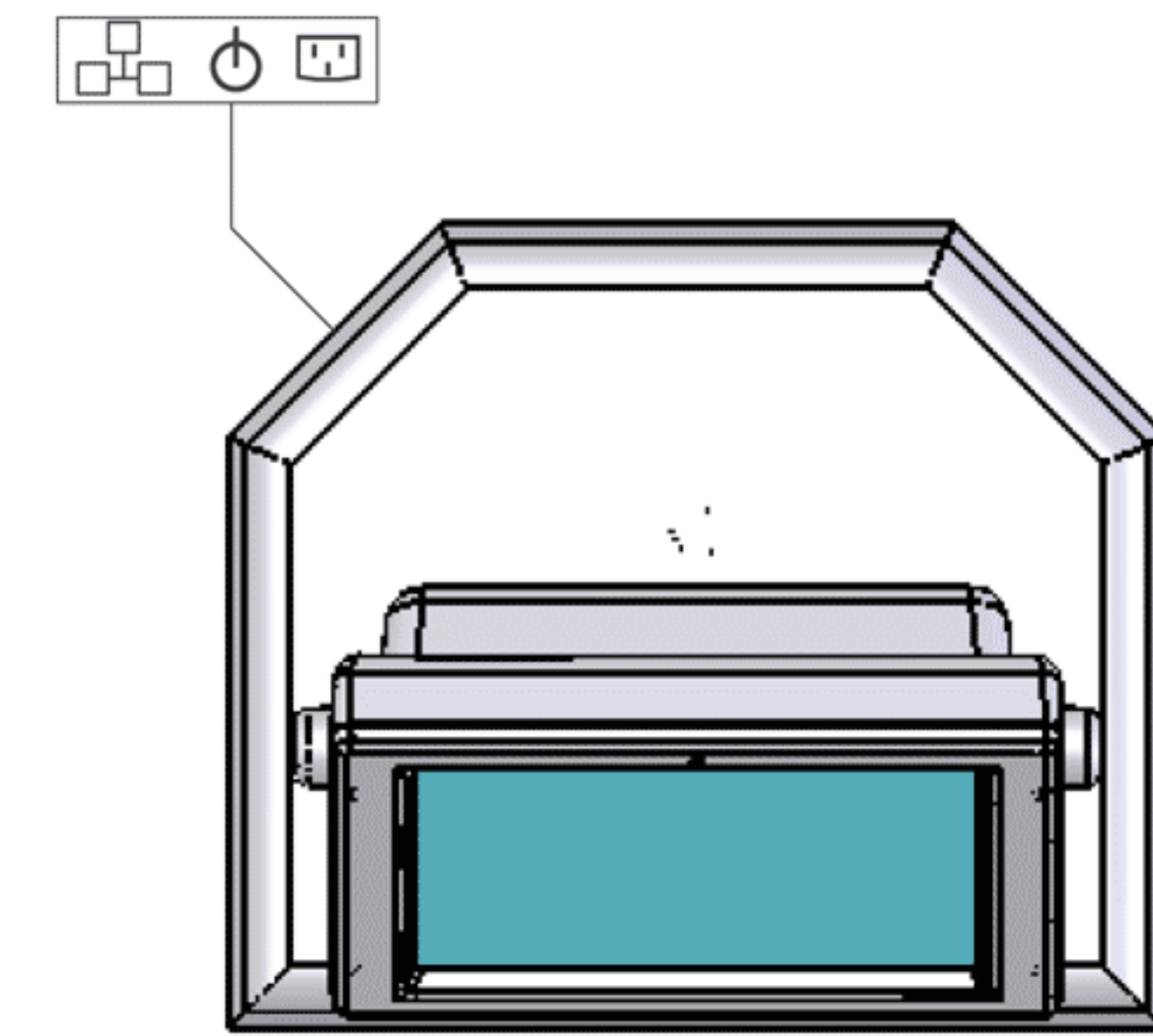
**22"**  
**VantagePoint Light**



FRONT

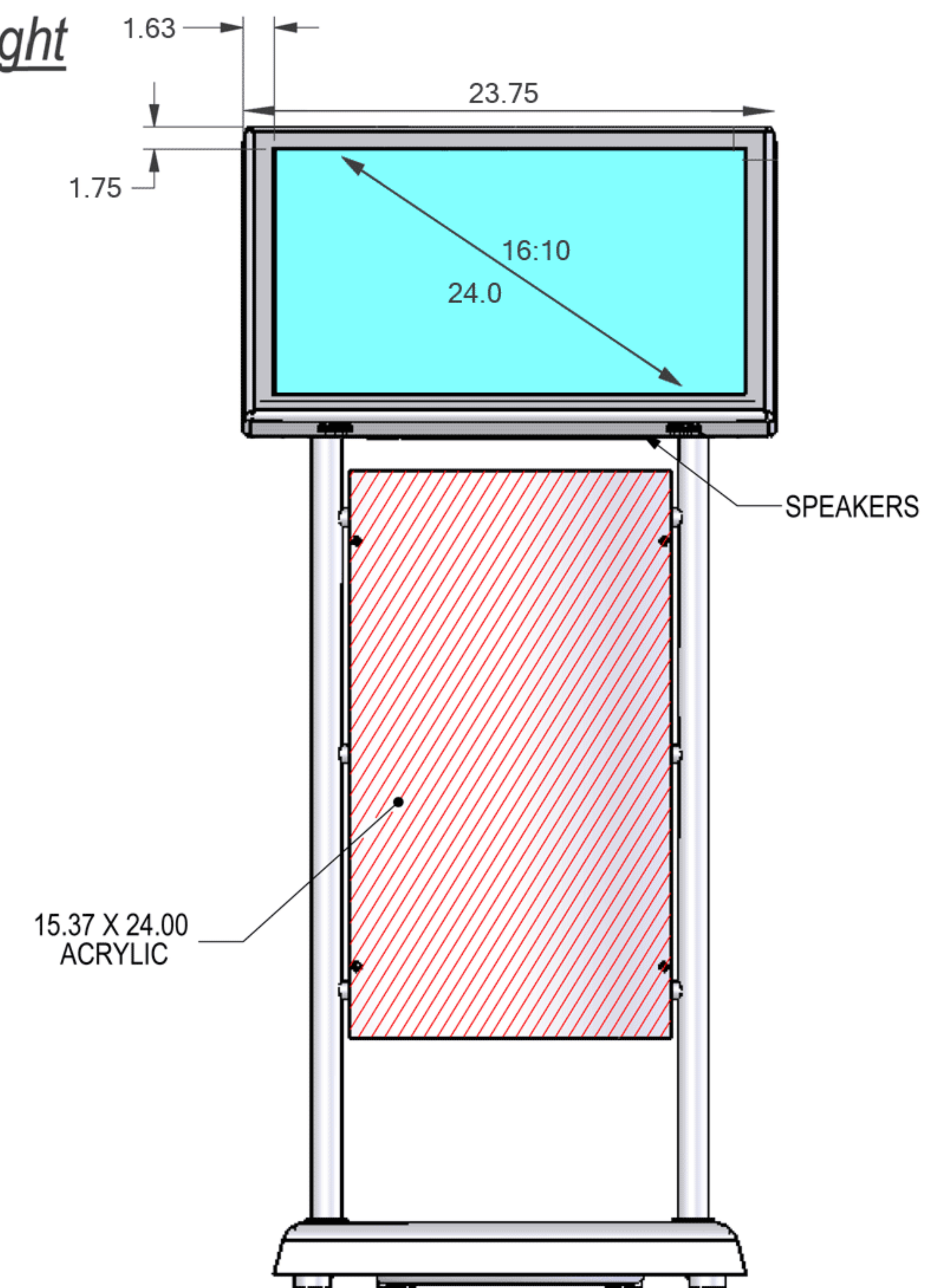


SIDE

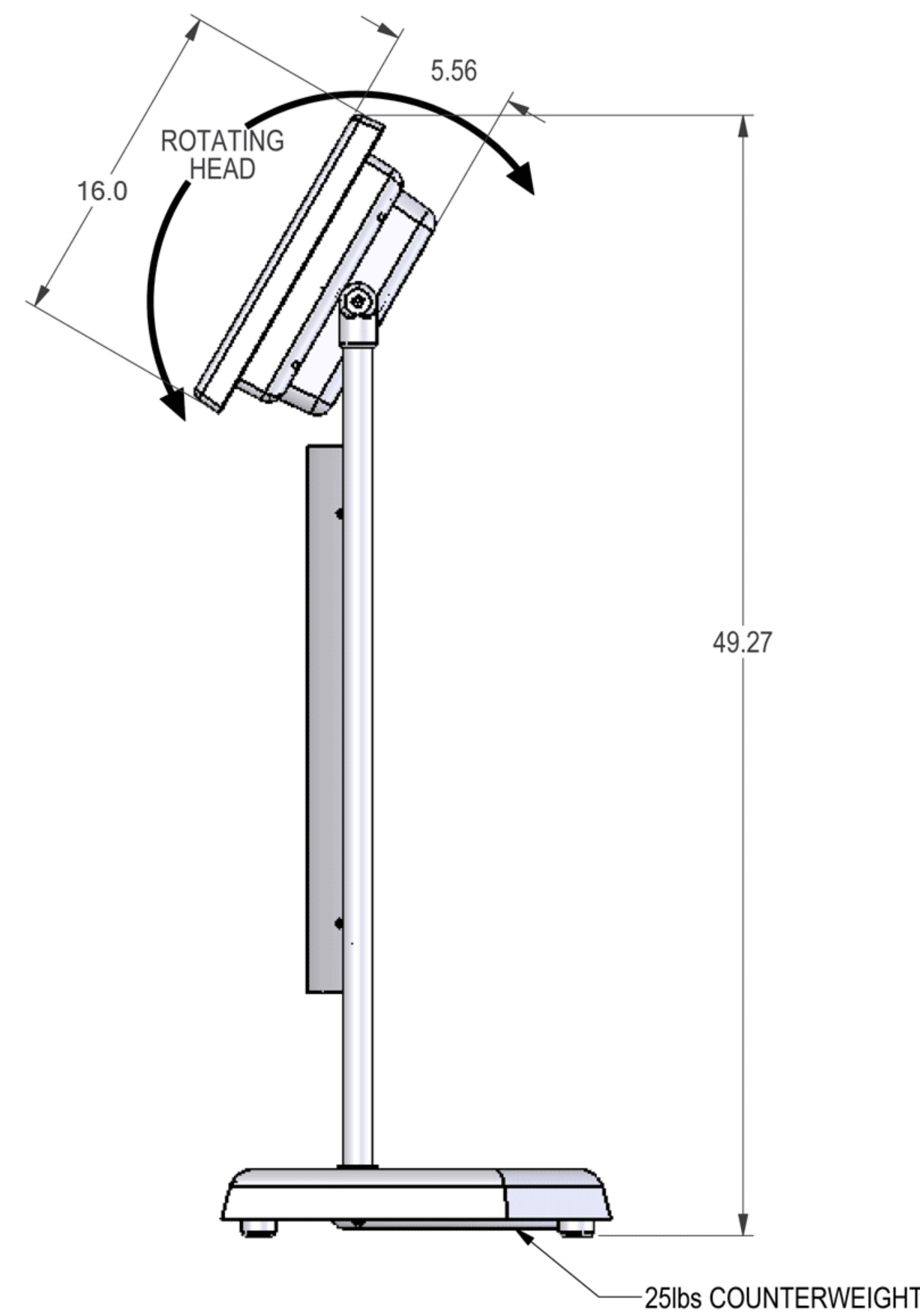


TOP

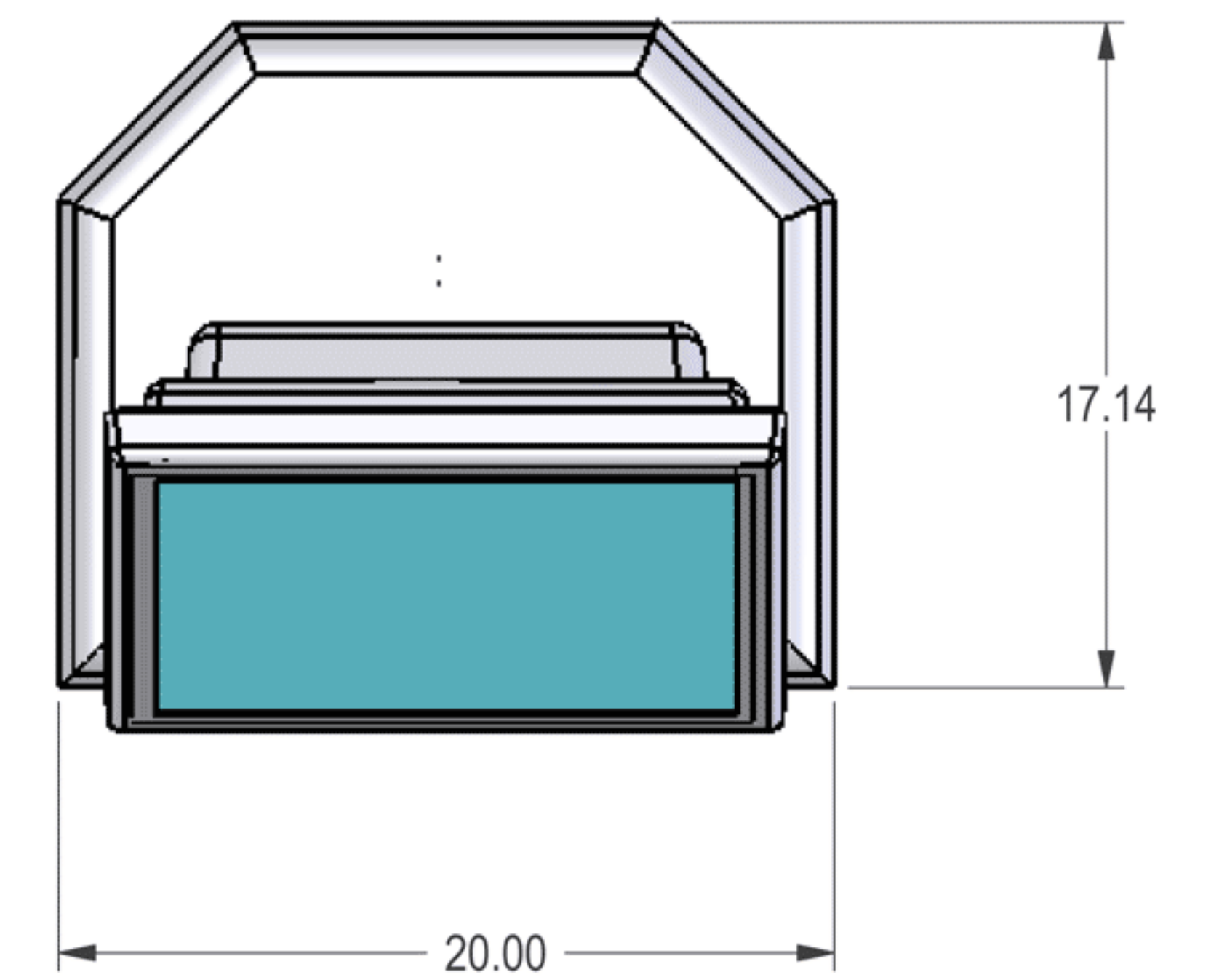
**24"**  
**VantagePoint Light**



FRONT



SIDE



TOP

**SeePoint™**  
Interactive Kiosk Systems

SeePoint.com 888-587-1777

TITLE  
**VantagePoint Light**

SIZE C	PART NO.	DWG NO. SP061203-04	REV N/C
DO NOT SCALE/PRINT REDUCED			SCALE NONE